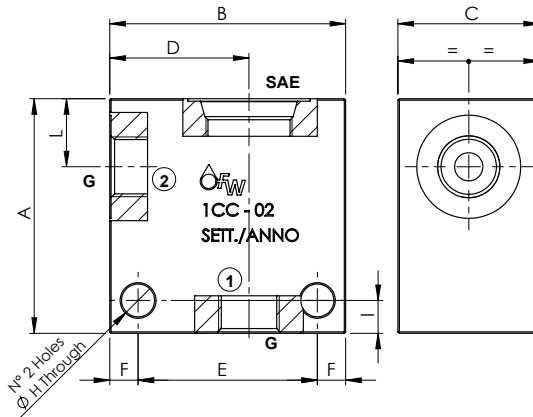


STANDARD BODY
CORPI STANDARDIZZATI

1CC - 02

TECHNICAL DATA

- **Max working pressure:** 250 bar (350 bar)
- **Materials:** Aluminium Body (Steel body if required)



DIMENSIONS											
SAE	G	A	B	C	D	E	F	H	I	L	Code Cavity SAE
08	1/4	50	50	30	30	38	6	7	7	14,5	FW3402000
	3/8										
10	3/8	56	60	35	35	48	6	7	7	18,5	FW7802000
	1/2										
12	1/2	70	70	40	40	54	8	9	8	26,5	FW1160200
	3/4										

ORDERING CODE:

1CC

02

Cavities:

- 08 = SAE 08
- 10 = SAE 10
- 12 = SAE 12

Ports Size:

- 1/4 - 3/8
- 3/8 - 1/2
- 1/2 - 3/4

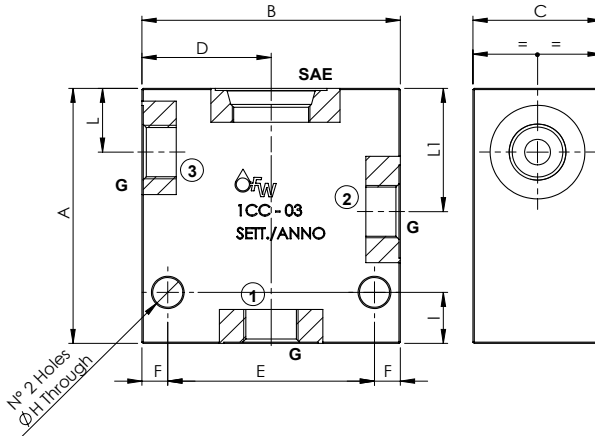
Material Body:

- 0 = Aluminium
- 1 = Steel

ICC - 03

TECHNICAL DATA

- **Max working pressure:** 250 bar (350 bar)
- **Materials:** Aluminium Body (Steel body if required)



DIMENSIONS												
SAE	G	A	B	C	D	E	F	H	I	L	L1	Code Cavity SAE
08	1/4	60	60	30	30	46	7	7	12	15,5	29,5	FW3403000
	3/8											
10	3/8	65	60	35	30	48	6	7	7	18,5	34,5	FW7803000
	1/2											
12	1/2	100	80	40	40	64	6	9	8	28,5	53,5	FW1160300
	3/4											

ORDERING CODE:

ICC

03

Cavities:

- 08 = SAE 08
- 10 = SAE 10
- 12 = SAE 12

Ports Size:

- 1/4 - 3/8
- 3/8 - 1/2
- 1/2 - 3/4

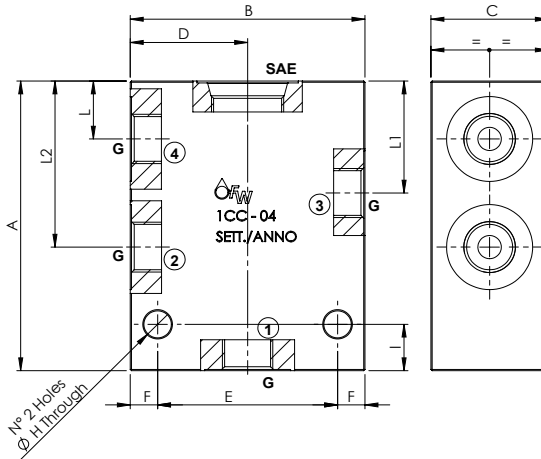
Material Body:

- 0 = Aluminium
- 1 = Steel

ICC - 04

TECHNICAL DATA

- **Max working pressure:** 250 bar (350 bar)
- **Materials:** Aluminium Body (Steel body if required)



DIMENSIONS													
SAE	G	A	B	C	D	E	F	H	I	L	L1	L2	Code Cavity SAE
08	1/4	75	60	30	30	46	7	7	12	15,5	29,5	43,5	FW3404000
	3/8												
10	3/8	85	60	35	30	48	6	7	8	18,5	34,5	50,5	FW7804000
	1/2												
12	1/2	120	80	40	40	64	8	9	8	28,5	53,5	78,5	FW1160400
	3/4												

ORDERING CODE:

ICC

04

Cavities:

- 08 = SAE 08
- 10 = SAE 10
- 12 = SAE 12

Ports Size:

- 1/4 - 3/8
- 3/8 - 1/2
- 1/2 - 3/4

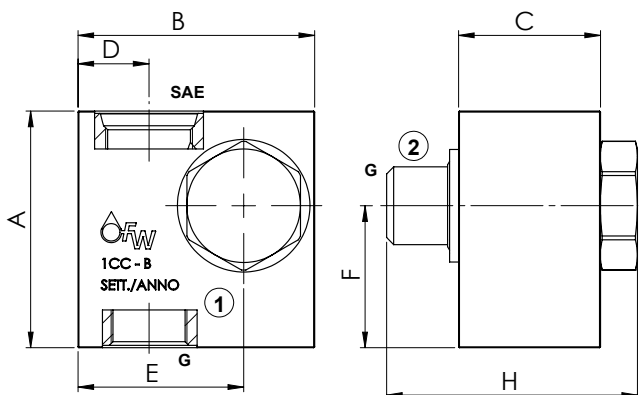
Material Body:

- 0 = Aluminium
- 1 = Steel

ICC - B

TECHNICAL DATA

- **Max working pressure:** 250 bar (350 bar)
- **Materials:** Aluminium Body (Steel body if required)
- **Note:** Bonded and bolt not included, order part



DIMENSIONS								Code Cavity SAE	
SAE	G	A	B	C	D	E	F	H	Code Cavity SAE
08	3/8	50	50	30	15	35	30	53	FW3402000

ORDERING CODE:

1CC

08

02

38

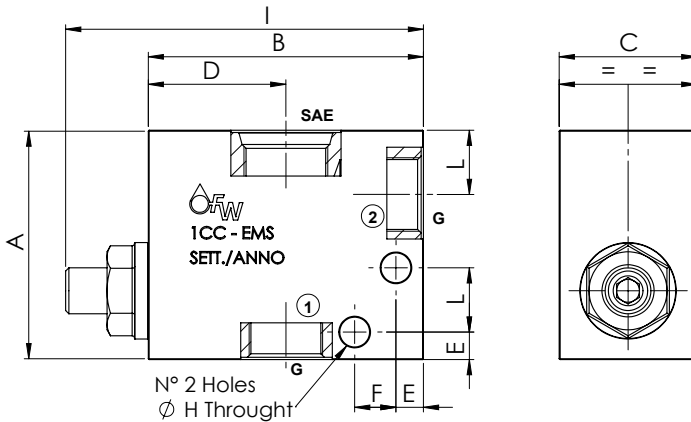
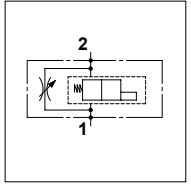
For body with SAE 10 and SAE 12,
Please contact our sales department.

Material Body:
- 2 = Aluminium
- 4 = Steel

ICC - EMS

TECHNICAL DATA

- **Max working pressure:** 250 bar (350 bar)
- **Materials:** Aluminium Body (Steel body if required)
- **Note:** Screw and nut not included, order part



DIMENSIONS											
SAE	G	A	B	C	D	E	F	H	I	L	Code Cavity SAE
08	3/8	50	60	30	30	6	9	6,5	78	14	FW3402000

ORDERING CODE:

ICC

08

02

38

For body with SAE 10 and SAE 12,
 Please contact our sales department.

Material Body:
 - 3 = Aluminium
 - 5 = Steel