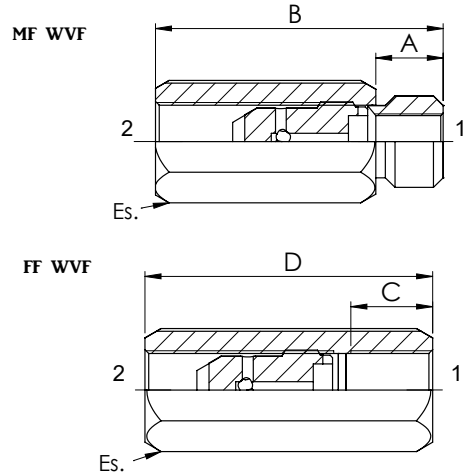
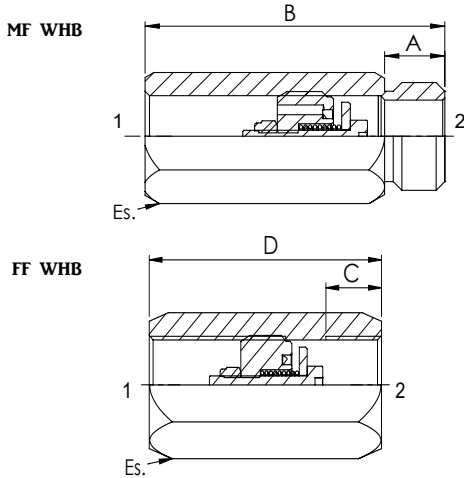


ACCESSORIES FOR VALVES
ACCESSORI PER VALVOLE

BODY FOR WHB - WVF

TECHNICAL DATA

- **Materials:** Body in Steel zinc plated
- **Max pressure:** 350 bar
- **Weight:** (See table)
- **Note:** Valve is not included, only Body



PORTS					
1 - 2	1/4	3/8	1/2	3/4	1
DIMENSIONS					
A	12	12	14	16	18
B	50	60	65	81	92
C	12	12	14	16	20
D	59	64	60	76	86
Es.	19	22	27	32	41
Weight (kg)	0,075	0,100	0,170	0,355	0,770

PORTS		
1 - 2	1/4	3/8
DIMENSIONS		
A	12	12
B	61	82
C	12	14
D	59	64
Es.	19	22
Weight (Kg)	0,080	0,100

ORDERING CODE:

1CC

Type:

- MF = Male Female
- FF = Female Female

Model:

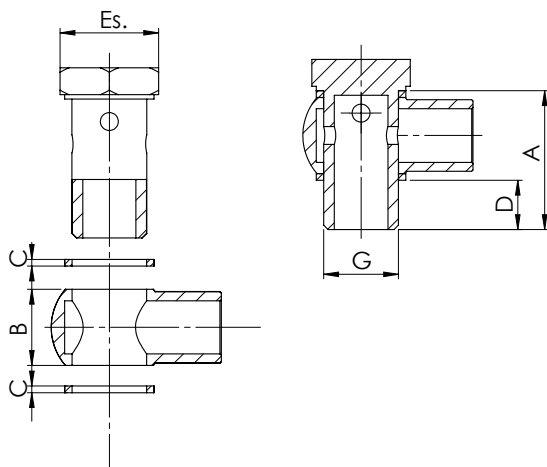
- WHB
- WVF

Ports Size:

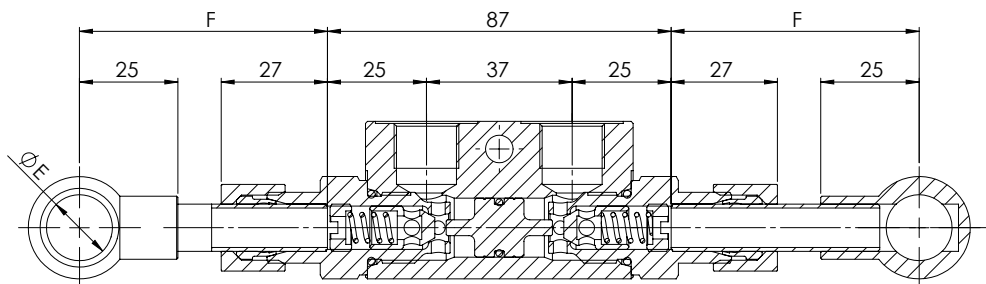
- 1/4 - 3/8
- 1/2 - 3/4
- 1

TECHNICAL DATA

- **Max working pressure:** 350 bar
- **Materials:** Steel zinc plated



PORTS		
G	1/4	3/8
DIMENSIONS		
A	28	31
B	15	17
C	1,5	1,5
D	10	11
E	13,2	16,75
Es.	19	22
F	38	
	52	
	56	
	75	
	100	
	150	
	200	
300		
400		
500		



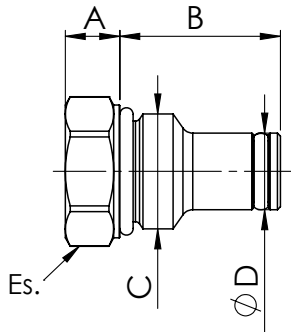
ORDERING CODE:

Contact our sales department

3XTP

TECHNICAL DATA

- **Materials:** Steel Zinc Plated
- **Cavity:** (See Table)
- **Installation torque:** (See Table)
- **Weight:** (See Table)
- **Note:** O-Ring is included



DIMENSIONS							
C	A	B	D	Es.	Code Cavity SAE	Install. Torque (N/m)	Weight (Kg)
3/4-16-UNF	10,5	26,5	12,7	22	FW3402000	40-45	0,070
7/8-14-UNF	9,6	32,4	15,86	27	FW7802000	55-65	0,120

ORDERING CODE:

3XTP

02

100

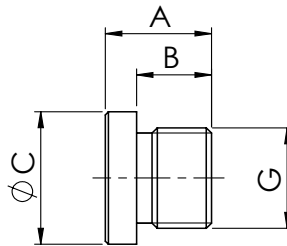
Cavities:

- 08 = SAE 08
- 10 = SAE 10

3TP

TECHNICAL DATA

- **Materials:** Steel Zinc Plated
- **Cavity:** (See Table)
- **Weight:** (See Table)
- **Note:** O-Ring is included



DIMENSIONS				
G	A	B	C	Weight (Kg)
1/8	13	9	15	0,010
1/4	16	11	19	0,015
3/8	17	11	22	0,030
1/2	20	14	27	0,050
3/4	20	14	32	0,070

ORDERING CODE:

3TP

00

000

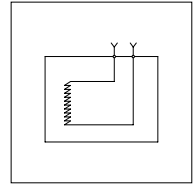
Cavities:

- 18 = G 1/8
- 14 = G 1/4
- 38 = G 3/8
- 12 = G 1/2
- 34 = G 3/4

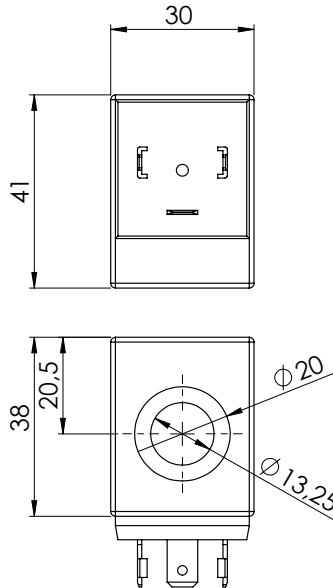
COIL

TECHNICAL DATA

- **Rated voltage:** (See table)
- **Power at 20 C°:** 18 W
- **Connection:** DIN 43650
- **Protection IEC 144:** IP 65
- **Insulation:** Class F
- **Wire insulation:** Class H
- **Nominal voltage:** +/- 10%
- **ED:** 100% with ambient temperature -20 +40 C°
- **Weight:** 0,150 kg



COIL			
Voltage V _{dC}	Connector	Circuit	Resistance Ω
12	DIN 43650	Standard	7,5
24	DIN 43650	Standard	30,1



ORDERING CODE:

3BO

13



18

0

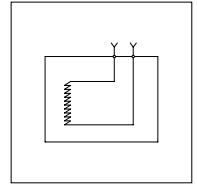
Rated Voltage:

- 12
- 24

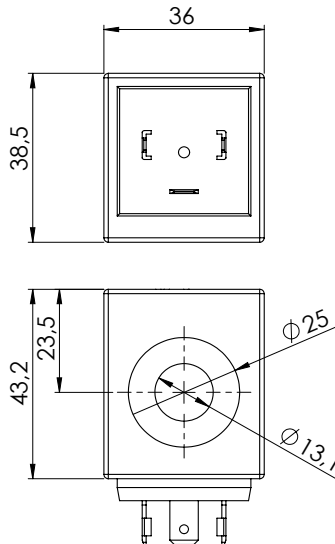
COIL

TECHNICAL DATA

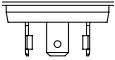
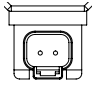
- **Rated voltage:** (See table)
- **Power at 20 C°:** 22 W
- **Connection:** (See table)
- **Protection IEC 144:** IP 65
- **Insulation:** Class H
- **Wire insulation:** Class H
- **Nominal voltage:** +/- 10%
- **ED:** 100% with ambient temperature -20 +40 C°
- **Weight:** 0,250 kg



COIL			
Voltage Vdc	Connector	Circuit	Resistance Ω
12	DIN 43650	Standard	6,5
24	DIN 43650	Standard	26,5
12	DEUTSCH	Bidirectional diode	6,5
24	DEUTSCH	Bidirectional diode	26,5



CONNECTION

Code	Type
(0) DIN 43650	
(1) DEUTSCH	

ORDERING CODE:

3BO

13

Rated Voltage:

- 12
- 24

22

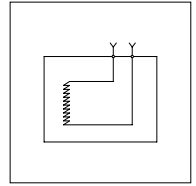
Connector:

- 0 = DIN 43650
- 1 = DEUTSCH

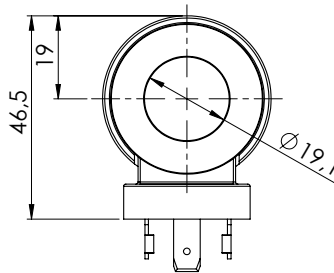
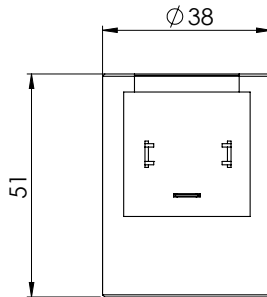
COIL

TECHNICAL DATA

- **Rated voltage:** (See table)
- **Power at 20 C°:** 36 W
- **Connection:** DIN 43650
- **Protection IEC 144:** IP 65
- **Insulation:** Class H
- **Wire insulation:** Class H
- **Nominal voltage:** +/- 10%
- **ED:** 100% with ambient temperature -20 +40 C°
- **Weight:** 0,225 kg



COIL				
Voltage Vdc	Connector	Circuit	Max current A	Resistance Ω
12	DIN 43650	Standard	0,9	3,9
24	DIN 43650	Standard	1,8	14,5



ORDERING CODE:

3BO

19



36

0

Rated Voltage:

- 12
- 24