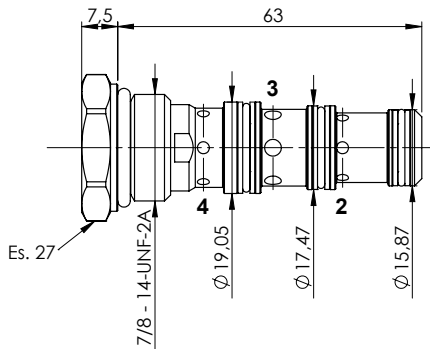
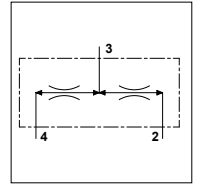

FLOW DIVIDER/COMBINER VALVES
VALVOLE DIVISORI/RIUNIFICATORI DI FLUSSO

WDF A S10

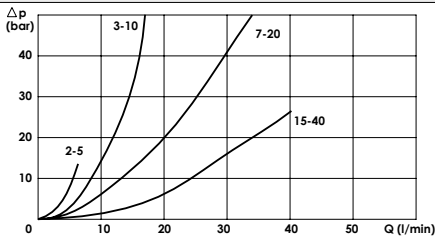
TECHNICAL DATA

- **Flow:** 40 l/min
- **Max working pressure:** 350 bar
- **Materials:** Cartridge in Steel zinc plated
- **Cavity:** FW7804000
- **Installation torque:** 30-35 Nm
- **Ratio division:** 50/50 standard
- **Weight:** 0,100 kg



Es. 27

PRESSURE DROP CURVES



FLOW RANGE

Code	L/Min
1	2-5
2	3-10
3	7-20
4	15-40

ORDERING CODE:

WDF

A

S10

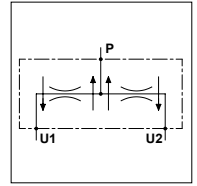
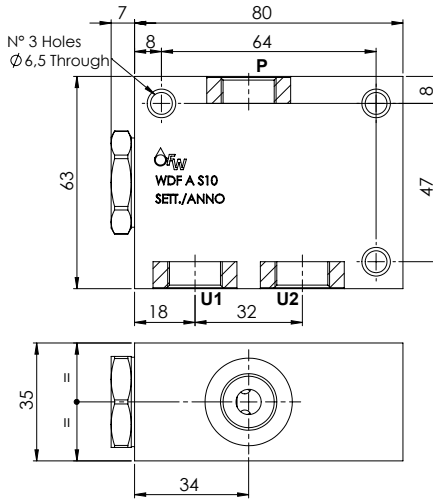
Flow Range:

- 1 = 2-5 l/min
- 2 = 3-10 l/min
- 3 = 7-20 l/min
- 4 = 15-40 l/min

WDF A S10

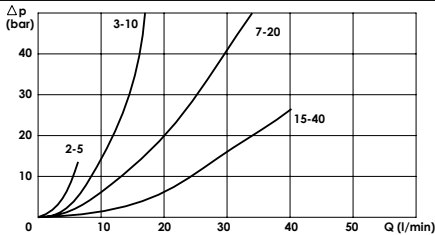
TECHNICAL DATA

- **Flow:** 40 l/min
- **Max working pressure:** 250 bar (350 bar)
- **Materials:** Aluminium Body (Steel body if required)
- **Ratio division:** 50/50 standard
- **Weight:** 0,500 kg (1,230 kg)



PORTS			
P	3/8	1/2	1/2
U1 - U2	3/8	3/8	1/2

PRESSURE DROP CURVES



FLOW RANGE

Code	L/Min
1	2-5
2	3-10
3	7-20
4	15-40

ORDERING CODE:

WDF

A

S10

Flow Range:
 - 1 = 2-5 l/min
 - 2 = 3-10 l/min
 - 3 = 7-20 l/min
 - 4 = 15-40 l/min

Material Body:
 - Omit if aluminium
 - S = Steel

Ports Size P:
 - 3/8
 - 1/2

Ports Size U1, U2:
 - 3/8
 - 1/2