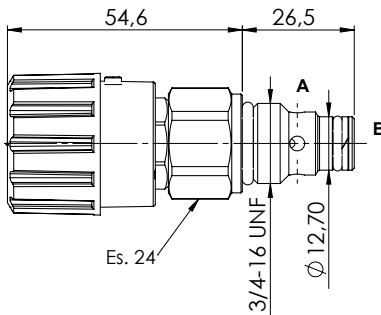
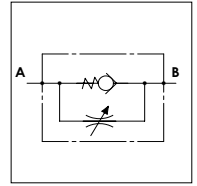


FLOW CONTROL VALVES
VALVOLE REGOLATRICI DI FLUSSO

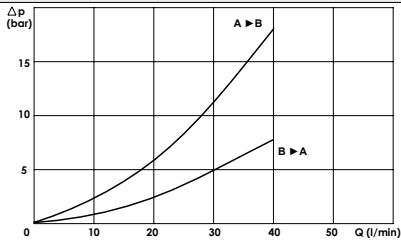
WFU C S08

TECHNICAL DATA

- **Flow:** 40 l/min
- **Max working pressure:** 350 bar
- **Materials:** Cartridge in Steel Zinc Plated
- **Version:** Poppet Type - Direct Acting
- **Cavity:** FW3402000
- **Installation torque:** 25-30 Nm
- **Weight:** 0,130 kg



PRESSURE DROP CURVES



ORDERING CODE:

WFU

C

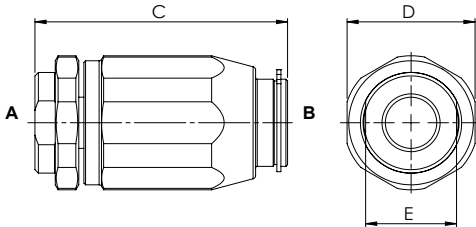
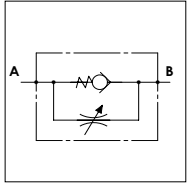
S08

V

WFU M

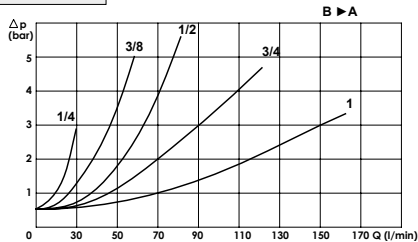
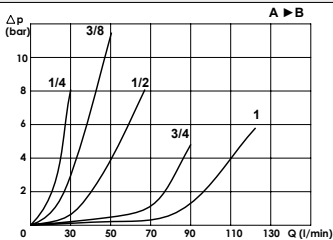
TECHNICAL DATA

- **Flow:** (See table)
- **Max working pressure:** (See table)
- **Cracking pressure:** 0,5 bar
- **Materials:** Steel Body
- **Weight:** (See table)



PORTS					
A - B	1/4	3/8	1/2	3/4	1
DIMENSIONS					
C	65	75	80	101	115
D	32	38	41	55	65
E	22	27	30	38	46
Max Pressure (bar)	350	350	350	300	250
Max Flow (l/min) A►B	30	40	50	80	110
Max Flow (l/min) B►A	30	50	80	110	160
Weight (kg)	0,290	0,460	0,570	1,800	2,100

PRESSURE DROP CURVES



ORDERING CODE:

WFU

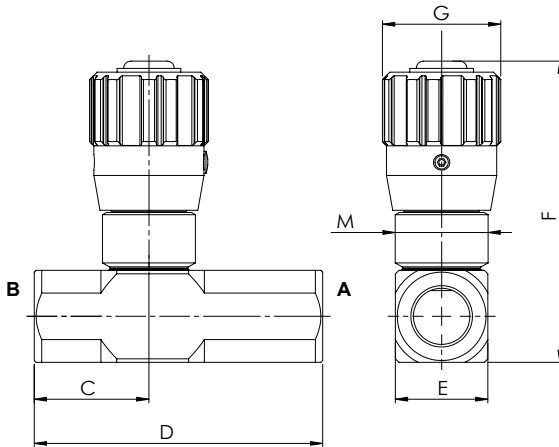
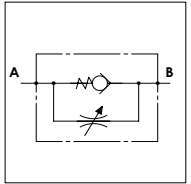
M

Ports Size:
 - 1/4 - 3/8
 - 1/2 - 3/4
 - 1

WFU

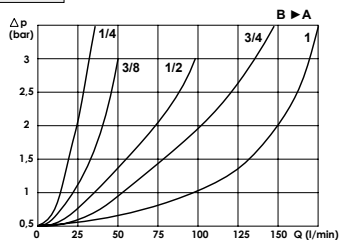
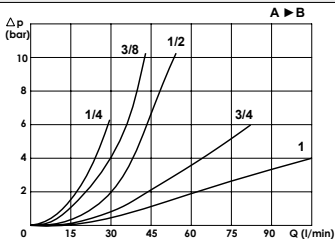
TECHNICAL DATA

- **Flow:** (See table)
- **Max working pressure:** (See table)
- **Cracking pressure:** 0,5 bar
- **Materials:** Steel Body
- **Note:** Aluminium Knob
- **Weight:** (See table)



PORTS					
A - B	1/4	3/8	1/2	3/4	1
DIMENSIONS					
C	28,5	31,5	34,5	44	44
D	75	75	93	108	108
E	25	25	30	40	40
F	82	82	84,5	108	108
G	32	32	32	44	44
M	25x1,5	25x1,5	25x1,5	35x1,5	35x1,5
Max Pressure (bar)	350	350	350	320	300
Max Flow (l/min) A►B	30	40	50	80	110
Max Flow (l/min) B►A	35	50	90	140	160
Weight (kg)	0,420	0,390	0,600	1,420	1,390

PRESSURE DROP CURVES



ORDERING CODE:

WFU

Ports Size:

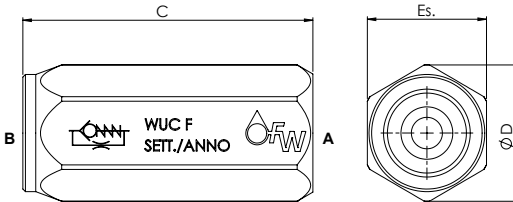
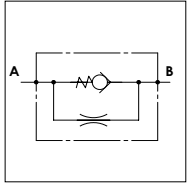
- 1/4 - 3/8
- 1/2 - 3/4

-1

WUC F

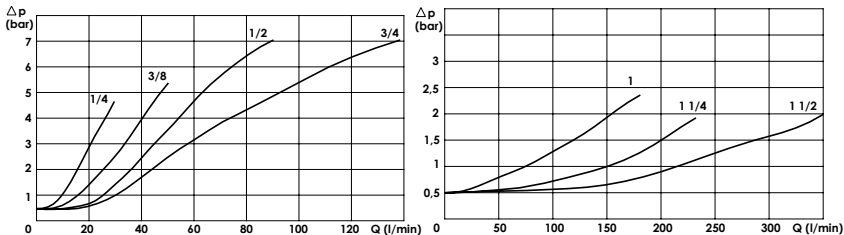
TECHNICAL DATA

- **Flow:** (See table)
- **Max working pressure:** 350 bar
- **Cracking pressure:** (See table)
- **Materials:** Steel Body
- **Weight:** (See table)



PORTS							
A - B	1/4	3/4	1/2	3/4	1	1 1/4	1 1/2
DIMENSIONS							
C	58	62	71	83	106	125	137
D	21	27	33	40	57	63	74
Es.	19	24	30	36	50	55	65
Max Pressure (bar)	400	400	350	300	280	260	220
Max Flow (l/min)	30	50	90	130	180	250	380
Weight (kg)	0,100	0,190	0,320	0,580	0,930	1,510	2,410
ORIFICE							
Ø Min (mm)	0,5	0,5	0,5	0,5	On Request		
Ø Max (mm)	2	3,5	4	4			

PRESSURE DROP CURVES



SPRINGS

Code	Cracking pressure bar
1 Standard	0,5
4	4
8	8

ORDERING CODE:

WUC

F

Ports Size:

- 1/4 - 3/8
- 1/2 - 3/4
- 1 - 1 1/4
- 1 1/2

Opening Pressure:

- Omit if 0,5 bar
- 4 = 4 bar
- 8 = 8 bar

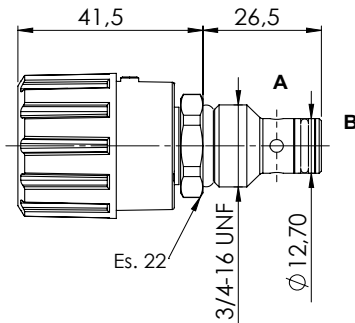
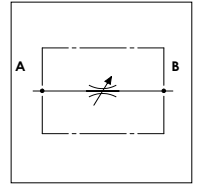
Throttling Hole:

- Value

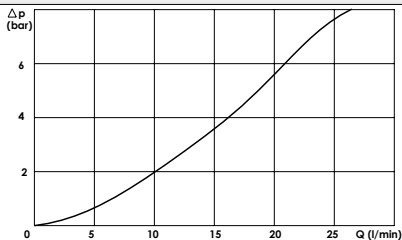
WFB C S08

TECHNICAL DATA

- **Flow:** 30 l/min
- **Max working pressure:** 350 bar
- **Materials:** Cartridge in Steel Zinc Plated
- **Version:** Poppet Type - Direct Acting
- **Cavity:** FW3402000
- **Installation torque:** 25-30 Nm
- **Weight:** 0,090 kg



PRESSURE DROP CURVES



ORDERING CODE:

WFB

C

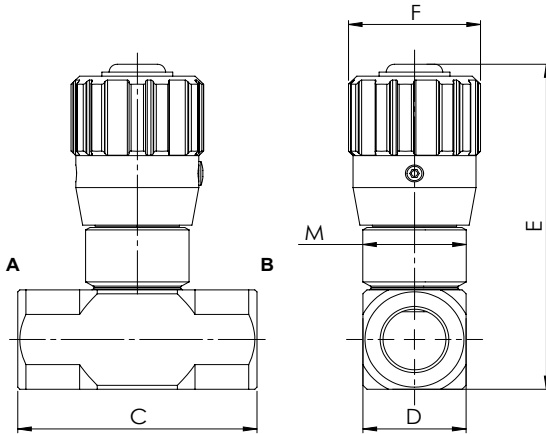
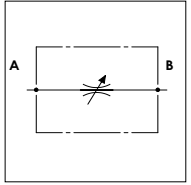
S08

V

WFB

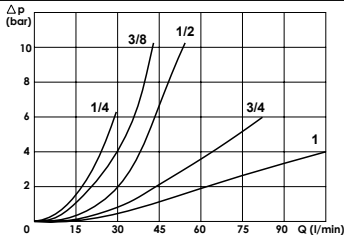
TECHNICAL DATA

- **Flow:** (See Table)
- **Max working pressure:** (See Table)
- **Materials:** Steel Body
- **Note:** Aluminium Knob
- **Weight:** (See table)



PORTS					
A - B	1/4	3/8	1/2	3/4	1
DIMENSIONS					
C	58	58	64	89	89
D	25	25	30	40	40
E	82	82	86,5	113	111
F	32	32	32	44	44
M	25x1	25x1	25x1	35x1	35x1
Max Pressure (bar)	350	350	350	320	300
Max Flow (l/min)	30	40	50	80	110
Weight (kg)	0,370	0,350	0,450	1,160	1,030

PRESSURE DROP CURVES



ORDERING CODE:

WFB

Ports Size:

- 1/4 - 3/8

- 1/2 - 3/4

- 1