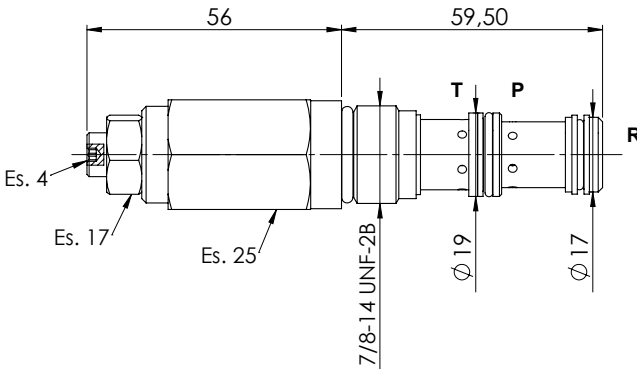
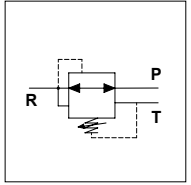
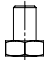
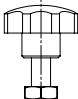

PRESSURE REDUCING VALVES
VALVOLE RIDUTTRICI DI PRESSIONE

WRP 30

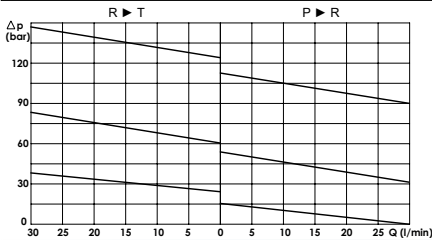
TECHNICAL DATA

- **Flow:** 30 l/min
- **Max setting pressure:** 140 bar
- **Max working pressure:** 350 bar
- **Max differential:** 210 bar between R and P
- **Materials:** Cartridge in Steel Zinc Plated
- **Version:** Direct Acting
- **Cavity:** FW7803100
- **Installation torque:** 55-60 Nm
- **Note:** With Relief
- **Weight:** 0,330 kg



REGULATOR	
Code	Type
(S) Screw	
(V) Handknob	

PRESSURE DROP CURVES



SPRINGS		
Code	Adjustable pressure range bar	Standard setting bar
02	5-25	15
06	20-75	30
12	30-140	60

ORDERING CODE:

WRP

30

Type of Regulator:

- S = Screw
- V = Handknob

Springs:

- 02 - 06
- 12

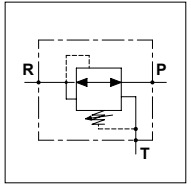
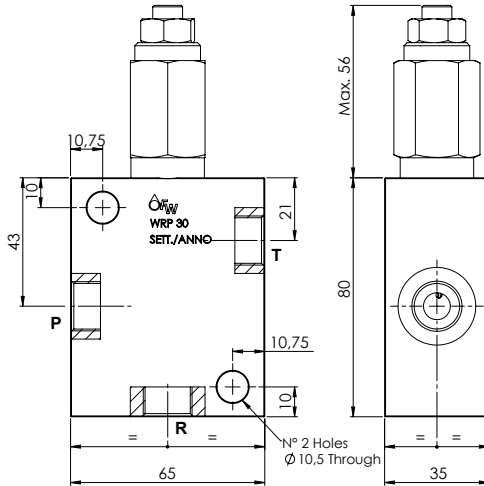
Adjustment if

- Required:**
- Omit if not required
 - Value

WRP 30

TECHNICAL DATA

- **Flow:** 30 l/min
- **Max setting pressure:** 140 bar
- **Max working pressure:** 250 bar (350 bar)
- **Max differential:** 210 bar between R and P
- **Materials:** Aluminium Body (Steel Body if required)
- **Version:** Direct Acting
- **Note:** With Relief
- **Weight:** 0,670 kg (1,380kg)

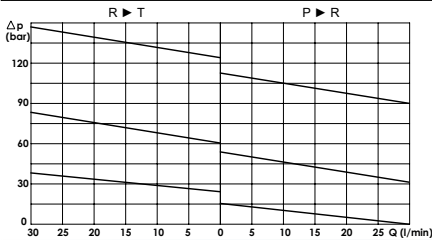


PORTS

P - T - R

3/8

PRESSURE DROP CURVES



SPRINGS

Code	Adjustable pressure range bar	Standard setting bar
02	5-25	15
06	20-75	30
12	30-140	60

ORDERING CODE:

WRP

30

3/8

Material Body:

- Omit if aluminium
- S = Steel

Type of Regulator:

- S = Screw
- V = Handknob

Springs:

- 02 - 06
- 12

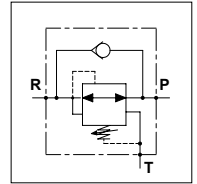
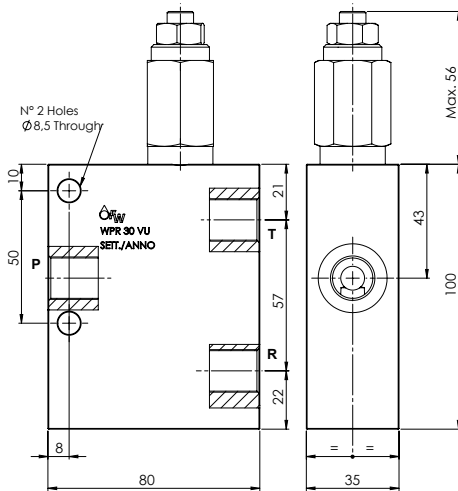
Adjustment if Required:

- Omit if not required
- Value

WRP 30 VU

TECHNICAL DATA

- **Flow:** 30 l/min
- **Max setting pressure:** 140 bar
- **Max working pressure:** 250 bar (350 bar)
- **Max differential:** 210 bar between R and P
- **Materials:** Aluminium Body (Steel Body if required)
- **Version:** Direct Acting
- **Note:** With Relief
- **Weight:** 0,950 kg (2,100 kg)



PORTS

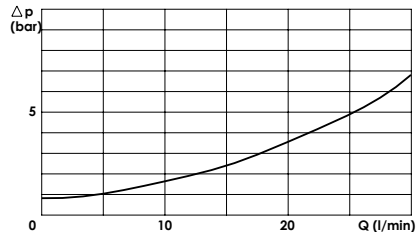
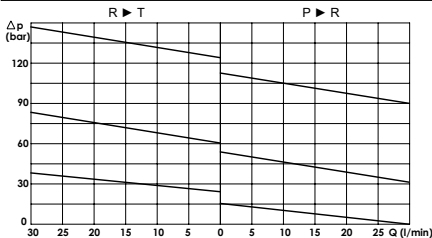
P - T - R

3/8

SPRINGS

Code	Adjustable pressure range bar	Standard setting bar
02	5-25	15
06	20-75	30
12	30-140	60

PRESSURE DROP CURVES



ORDERING CODE:

WRP

30

3/8

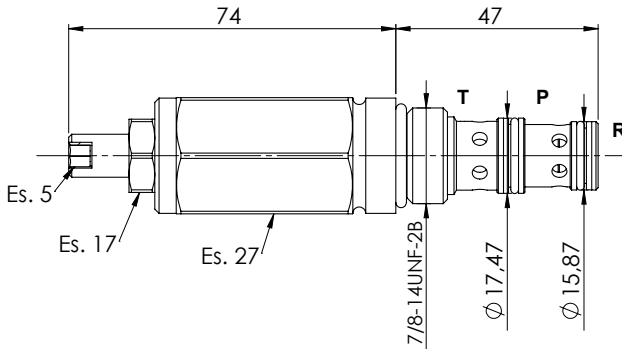
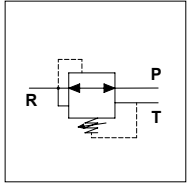
VU


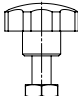
Material Body: Type of Regulator: Springs: Adjustment if Required:
 - Omit if aluminium - S = Screw - 02 - 06
 - S = Steel - V = Handknob - 12 - Omit if not required - Value

WRP 30 S10

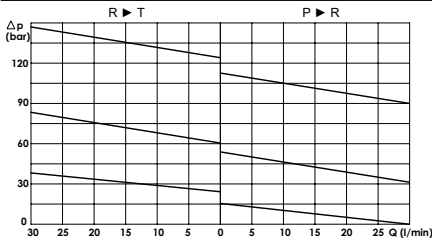
TECHNICAL DATA

- **Flow:** 30 l/min
- **Max setting pressure:** 140 bar
- **Max working pressure:** 350 bar
- **Max differential:** 210 bar between R and P
- **Materials:** Cartridge in Steel Zinc Plated
- **Version:** Direct Acting
- **Cavity:** FW7803000
- **Installation torque:** 55-60 Nm
- **Note:** With Relief
- **Weight:** 0,310 kg



REGULATOR	
Code	Type
(S) Screw	
(V) Handknob	

PRESSURE DROP CURVES



SPRINGS		
Code	Adjustable pressure range bar	Standard setting bar
02	5-35	5
06	10-60	10
12	35-180	35

ORDERING CODE:

WRP

30

S10

Type of Regulator:

- S = Screw
- V = Handknob

Springs:

- 02 - 06
- 12

Adjustment if Required:

- Omit if not required
- Value