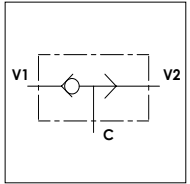


SHUTTLE VALVES
VALVOLE SELETTRICI

WS I

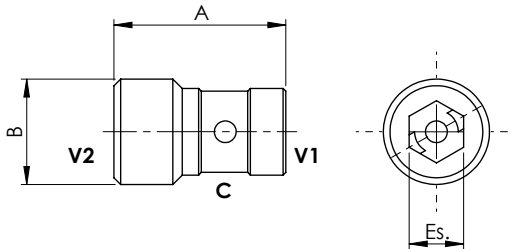
TECHNICAL DATA

- **Flow:** (See table)
- **Max working pressure:** 350 bar
- **Materials:** Steel Body
- **Version:** Ball Type
- **Cavity:** FW(B)03100
- **Weight:** (See table)

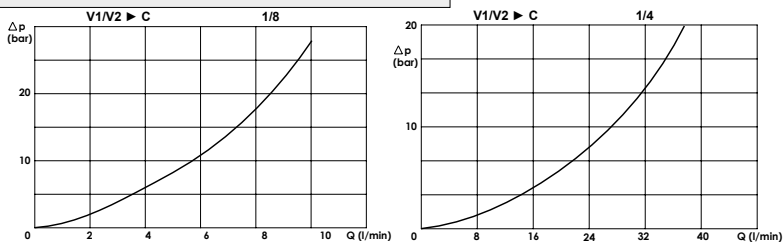


PORTS

B	1/8	1/4
DIMENSIONS		
A	14,9	22,5
Es.	5	6
Max Flow (l/min)	10	35
Weight (kg)	0,010	0,040



PRESSURE DROP CURVES



ORDERING CODE:

WS

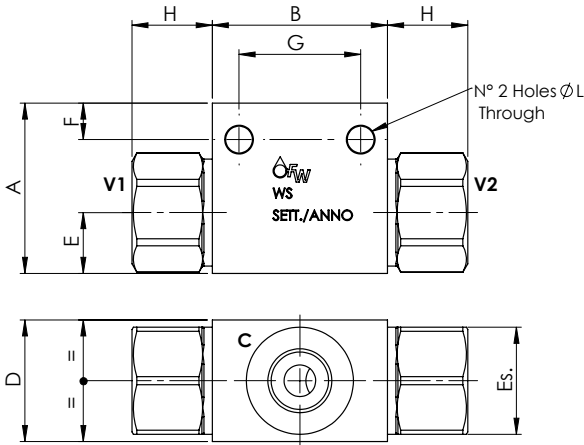
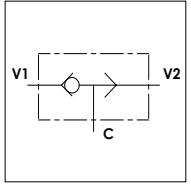
I

Ports Size:
- 1/8 - 1/4

WS

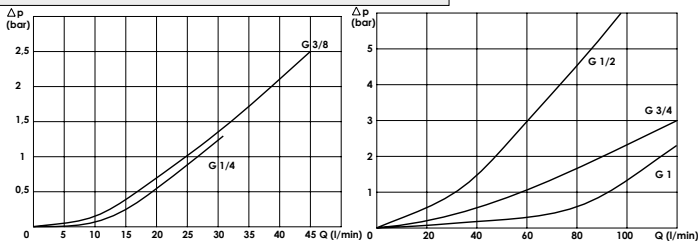
TECHNICAL DATA

- **Flow:** (See table)
- **Max working pressure:** 350 bar
- **Materials:** Steel Body
- **Weight:** (See table)



PORTS					
C - V1 - V2	1/4	3/8	1/2	3/4	1
DIMENSIONS					
A	35	45	50	60	80
B	36	45	57	65	80
D	25	30	35	50	50
E	12,5	15	18	22,5	25,5
F	7,5	8	9	8	12
G	25	29	36	50	65
H	16,5	15	18,5	17,5	23
L	5,5	6,5	5,5	6,5	10,5
Es.	22	27	30	41	46
Max Flow (l/min)	25	50	85	120	160
Weight (kg)	0,270	0,460	0,740	1,400	1,870

PRESSURE DROP CURVES



ORDERING CODE:

WS

Ports Size:
- 1/4 - 3/8
- 1/2 - 3/4

-1