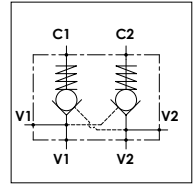
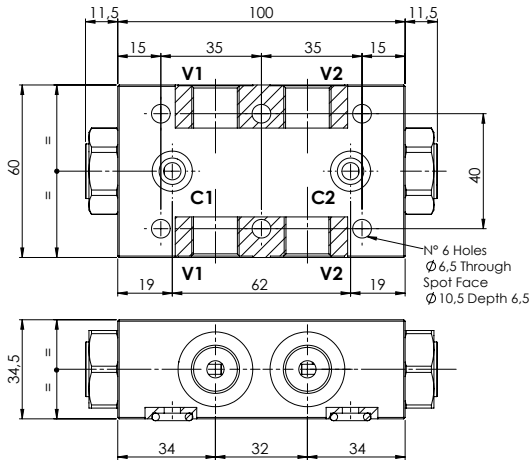


WBD 30 2F - DL

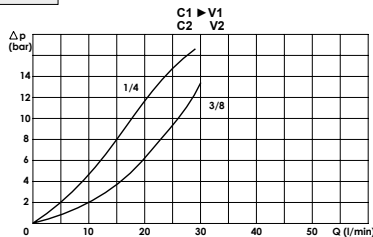
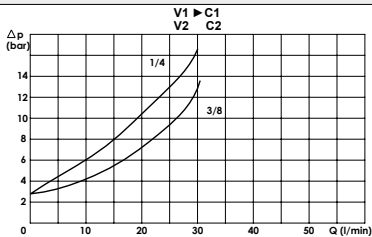
TECHNICAL DATA

- **Flow:** 30 l/min
- **Max working pressure:** 250 bar (350 bar)
- **Cracking pressure:** (See table)
- **Materials:** Aluminium Body (Steel body if required)
- **Pilot ratio:** (See table)
- **Weight:** 0,660 kg (1,470 kg)



PORTS		
V1 - V2	1/4	3/8
C1 - C2	ø6	
Pilot Ratio	7:1	7:1

PRESSURE DROP CURVES



SPRINGS

Code	Cracking pressure bar
1 Standard	1
2,5	2,5
5	5
10	10

ORDERING CODE:

WBD

30

2F

Port Size:

- 1/4
- 3/8

Material Body:

- Omit if aluminium
- S = Steel

Cracking Pressure:

- Omit if 1 bar
- 2,5 = 2,5 bar
- 5 = 5 bar
- 10 = 10 bar

Seal on Piston:

- Omit if not required
- G = Required