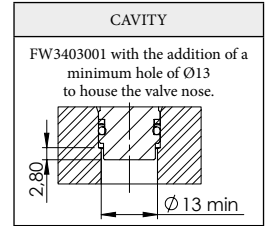
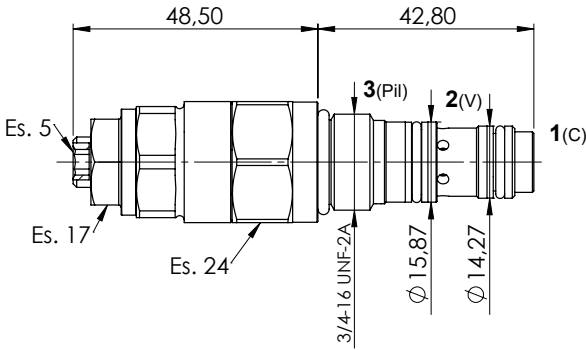
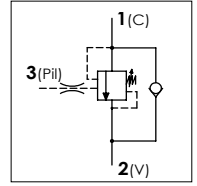


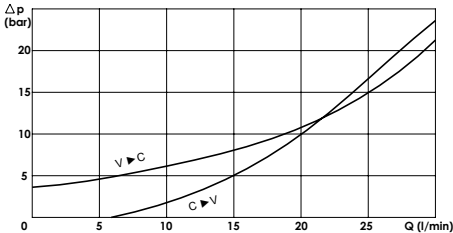
# WOC 30 S08

## TECHNICAL DATA

- **Flow:** 30 l/min
- **Max setting pressure:** 350 bar
- **Materials:** Cartridge in Steel zinc plated
- **Cavity:** See table
- **Installation torque:** 45-50 Nm
- **Weight:** 0,150 kg



## PRESSURE DROP CURVES



## SPRINGS

Code	20			35		
	Adjustable pressure range bar	Pressure increase bar/turn	Standard setting bar	Adjustable pressure range bar	Pressure increase bar/turn	Standard setting bar
4:1	50-210	50	170	80-350	110	280

## ORDERING CODE:

WOC

30

S08

**Springs:**

- 20
- 35

**Adjustment if Required:**

- Omit if not required
- Value