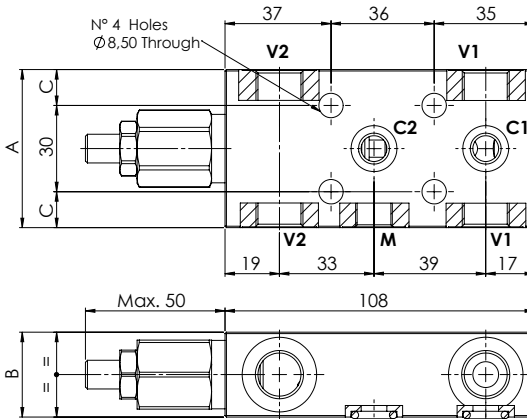
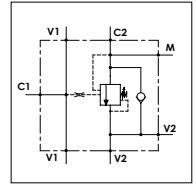


WOS 60 - 2F PP

TECHNICAL DATA

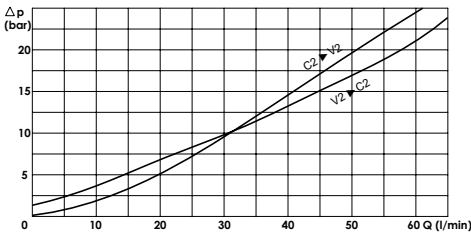
- **Flow:** 60 l/min
- **Max setting pressure:** 350 bar
- **Materials:** Steel Body
- **Pilot ratio:** 4:1 (if request 1:1; 8:1; 11:1)
- **Weight:** (See Table)

- **Note:** Pressure setting must be 30 % higher that pressure induced by the load



PORTS		
V1 - V2	3/8	1/2
C1 - C2	ø9	
M	1/4	
DIMENSIONS		
A	55	65
B	29,5	34,5
C	12,5	17,5
Weight (kg)	1,250	1,670

PRESSURE DROP CURVES



SPRINGS

Code	20			35		
	Adjustable pressure range bar	Pressure increase bar/turn	Standard setting bar	Adjustable pressure range bar	Pressure increase bar/turn	Standard setting bar
1:1	10-70	15	10	30-200	25	30
4:1	60-210	70	170	80-350	120	280
8:1	60-220	50		100-350	85	
11:1	60-250	90		80-350	150	

ORDERING CODE:

WOS	60		2F	PP			
Ports Size: - 3/8 - 1/2			Springs: - 20 - 35			Pilot Ratio: - Omit if 4:1 - 1 = 1:1 - 8 = 8:1 - 11 = 11:1	
				Adjustment if Required: - Omit if not required - Value			