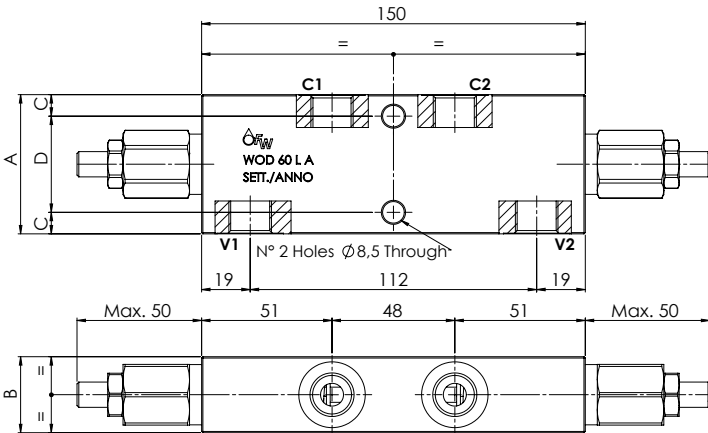
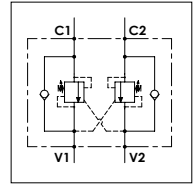


WOD 60 - L A

TECHNICAL DATA

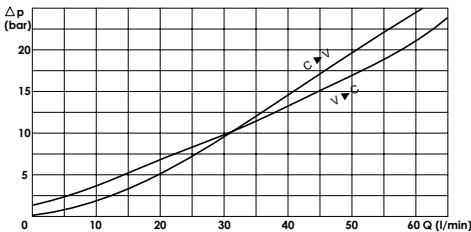
- **Flow:** 60 l/min
- **Max setting pressure:** 250 bar
- **Materials:** Aluminium Body
- **Pilot ratio:** 4:1 (if request 1:1; 8:1; 11:1)
- **Weight:** (See Table)

- **Note:** Pressure setting must be 30 % higher that pressure induced by the load



PORTS		
C1 - C2 V1 - V2	3/8	1/2
DIMENSIONS		
A	55	65
B	30	35
C	8,5	11
D	38	43
Weight (kg)	0,950	1,250

PRESSURE DROP CURVES



SPRINGS

Code	20			35		
	Adjustable pressure range bar	Pressure increase bar/turn	Standard setting bar	Adjustable pressure range bar	Pressure increase bar/turn	Standard setting bar
1:1	10-70	15	10	30-200	25	30
4:1	60-210	70	170	80-350	120	280
8:1	60-220	50		100-350	85	
11:1	60-250	90		80-350	150	

ORDERING CODE:

WOD	60		L	A			
		Ports Size:			Springs:	Pilot Ratio:	Adjustment if Required:
		- 3/8			- 20	- Omit if 4:1	- Omit if not required
		- 1/2			- 35	- 1 = 1:1	- required
						- 8 = 8:1	- Value
						- 11 = 11:1	