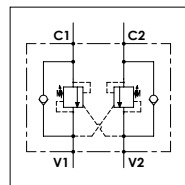


WODS 60 - L

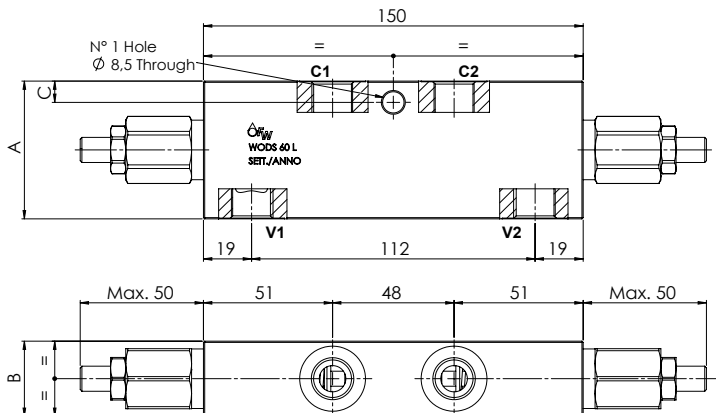
TECHNICAL DATA

- **Flow:** 60 l/min
- **Max setting pressure:** 350 bar
- **Materials:** Steel Body
- **Pilot ratio:** 4:1 (if request 1:1; 8:1; 11:1)
- **Weight:** (See Table)

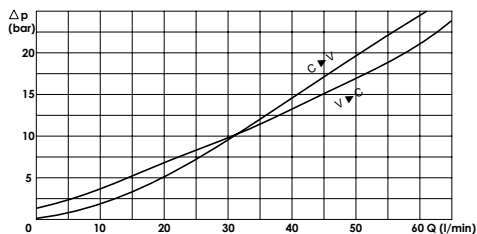
- **Note:** Pressure setting must be 30 % higher that pressure induced by the load



| PORTS | | |
|--------------------|-------|-------|
| C1 - C2 V1 - V2 | 3/8 | 1/2 |
| DIMENSIONS | | |
| A | 55 | 65 |
| B | 30 | 35 |
| C | 8,5 | 11 |
| Weight (kg) | 2,000 | 2,650 |



PRESSURE DROP CURVES



SPRINGS

| Code | 20 | | | 35 | | | |
|------|-------------|-------------------------------|----------------------------|----------------------|-------------------------------|----------------------------|----------------------|
| | Pilot ratio | Adjustable pressure range bar | Pressure increase bar/turn | Standard setting bar | Adjustable pressure range bar | Pressure increase bar/turn | Standard setting bar |
| 1:1 | 10-70 | 15 | 10 | 30-200 | 25 | 30 | |
| 4:1 | 60-210 | 70 | 170 | 80-350 | 120 | 280 | |
| 8:1 | 60-220 | 50 | | 100-350 | 85 | | |
| 11:1 | 60-250 | 90 | | 80-350 | 150 | | |

ORDERING CODE:

WODS

60

L

Ports Size:

- 3/8
- 1/2

Springs:

- 20
- 35

Pilot Ratio:

- Omit if 4:1
- 1 = 1:1
- 8 = 8:1
- 11 = 11:1

Adjustment if Required:

- Omit if not required
- Value