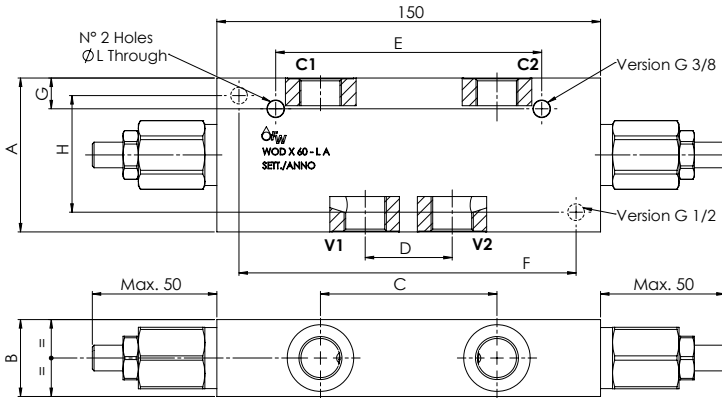
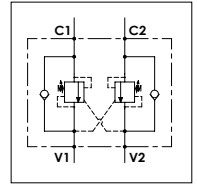


### WOD X 60 - L A

#### TECHNICAL DATA

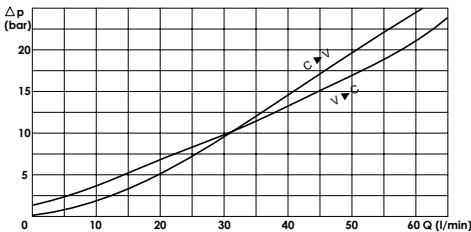
- Flow:** 60 l/min
- Max setting pressure:** 250 bar
- Materials:** Aluminium Body
- Pilot ratio:** 4:1 (if request 1:1; 8:1; 11:1)
- Weight:** (See Table)

- Note:** Pressure setting must be 30 % higher that pressure induced by the load



PORTS		
C1 - C2 V1 - V2	3/8	1/2
DIMENSIONS		
A	60	70
B	30	35
C	69	80
D	34	36
E	104	-
F	-	125
G	12	-
H	-	54
L	6,5	8,5
Weight (kg)	1,020	1,255

#### PRESSURE DROP CURVES



#### SPRINGS

Code	20			35		
	Adjustable pressure range bar	Pressure increase bar/turn	Standard setting bar	Adjustable pressure range bar	Pressure increase bar/turn	Standard setting bar
1:1	10-70	15	10	30-200	25	30
4:1	60-210	70	170	80-350	120	280
8:1	60-220	50		100-350	85	
11:1	60-250	90		80-350	150	

### ORDERING CODE:

WOD	X	60		L	A			
<b>Ports Size:</b>			<b>Springs:</b>			<b>Pilot Ratio: Adjustment if Required:</b>		
- 3/8			- 20			- Omit if 4:1		
- 1/2			- 35			- 1 = 1:1		
						- 8 = 8:1		
						- 11 = 11:1		
						- Value		