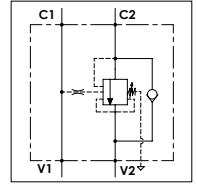


WOSFC 30 - L PP

TECHNICAL DATA

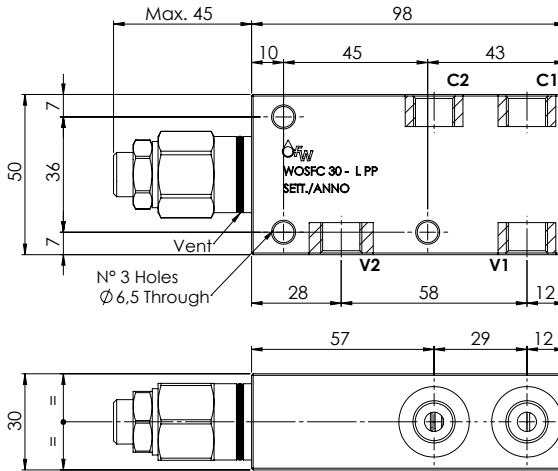
- **Flow:** 30 l/min
- **Max setting pressure:** 350 bar
- **Materials:** Steel Body
- **Pilot ratio:** 4:1 (if request 8:1; 11:1)
- **Weight:** 1,300 kg

- **Note:** - Pressure setting must be 30 % higher that pressure induced by the load.
- Recommended for use with closed center spools.

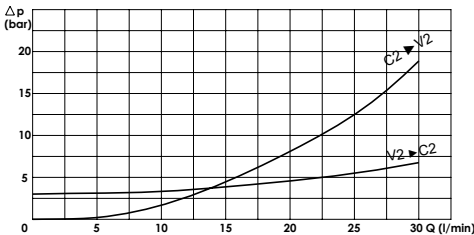


PORTS	
C1 - C2 V1 - V2	1/4

Possibility 3/8 ports.
Please contact our sales department.



PRESSURE DROP CURVES



SPRINGS

Code	20			35		
	Adjustable pressure range bar	Pressure increase bar/turn	Standard setting bar	Adjustable pressure range bar	Pressure increase bar/turn	Standard setting bar
4:1	60-210	70	170	80-350	120	280
8:1	60-220	50		100-350	85	
11:1	60-250	90		80-350	150	

ORDERING CODE:

WOSFC	30		L	PP			
Ports Size:			Springs:			Pilot Ratio:	
- 1/4			- 20			- Omit if 4:1	
- 3/8			- 35			- 8 = 8:1	
						- 11 = 11:1	
						Adjustment if Required:	
						- Omit if not required	
						- Value	