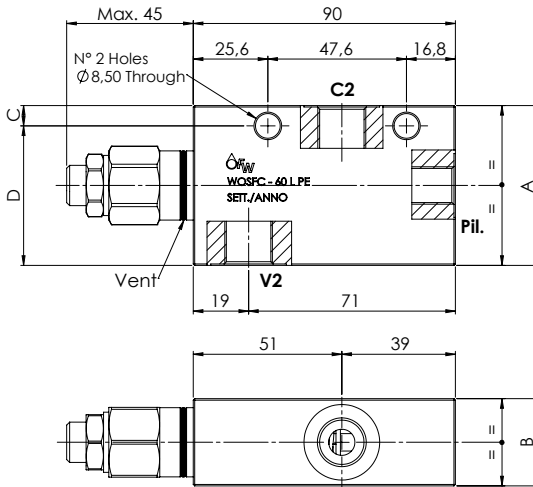
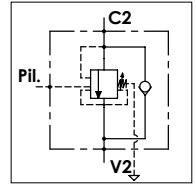


## WOSFC 60 - L PE

### TECHNICAL DATA

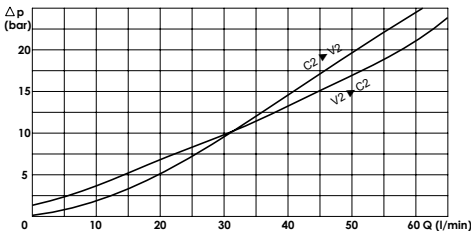
- **Flow:** 60 l/min
- **Max setting pressure:** 350 bar
- **Materials:** Steel Body
- **Pilot ratio:** 4:1 (if request 1:1; 8:1; 11:1)
- **Weight:** (See Table)

- **Note:** - Pressure setting must be 30 % higher that pressure induced by the load.
- Recommended for use with closed center spools.



PORTS		
C2 - V2	3/8	1/2
Pil.	1/4	1/4
	3/8	
DIMENSIONS		
A	55	65
B	30	35
C	7	11
D	48	54
Weight (kg)	1,150	1,550

### PRESSURE DROP CURVES



### SPRINGS

Code	20			35		
	Adjustable pressure range bar	Pressure increase bar/turn	Standard setting bar	Adjustable pressure range bar	Pressure increase bar/turn	Standard setting bar
1:1	10-70	15	10	30-200	25	30
4:1	60-210	70	170	80-350	120	280
8:1	60-220	50		100-350	85	
11:1	60-250	90		80-350	150	

## ORDERING CODE:

WOSFC	60		L	PE				
		<b>Ports Size:</b>			<b>Pilot Port:</b>	<b>Springs:</b>	<b>Pilot Ratio:</b>	<b>Adjustment if Required:</b>
		- 3/8			- Omit if 1/4	- 20	- Omit if 4:1	- Omit if not required
		- 1/2			- 3/8	- 35	- 1 = 1:1	- required
							- 8 = 8:1	- Value
							- 11 = 11:1	