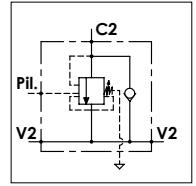
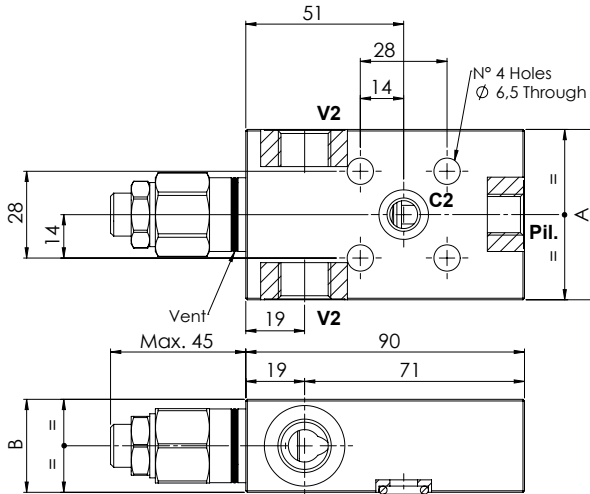


WOSFC 60 - 1F PE

TECHNICAL DATA

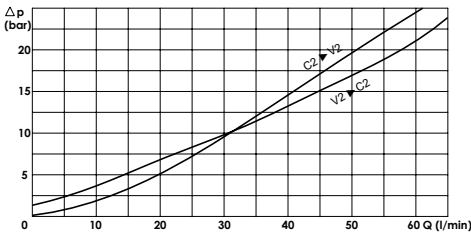
- **Flow:** 60 l/min
- **Max setting pressure:** 350 bar
- **Materials:** Steel Body
- **Pilot ratio:** 4:1 (if request 1:1; 8:1; 11:1)
- **Weight:** (See Table)

- **Note:** - Pressure setting must be 30 % higher that pressure induced by the load.
- Recommended for use with closed center spools.



PORTS		
V2	3/8	1/2
C2	ø9	
Pil.	1/4	1/4
	3/8	
DIMENSIONS		
A	55	65
B	30	35
Weight (kg)	1.150	1.500

PRESSURE DROP CURVES



SPRINGS

Code	20			35		
	Adjustable pressure range bar	Pressure increase bar/turn	Standard setting bar	Adjustable pressure range bar	Pressure increase bar/turn	Standard setting bar
1:1	10-70	15	10	30-200	25	30
4:1	60-210	70	170	80-350	120	280
8:1	60-220	50		100-350	85	
11:1	60-250	90		80-350	150	

ORDERING CODE:

WOSFC	60		1F	PE				
Ports Size:								
- 3/8								
- 1/2								
Pilot Port:								
- Omit if 1/4								
- 3/8								
Springs:								
- 20								
- 35								
Pilot Ratio:								
- Omit if 4:1								
- 1 = 1:1								
- 8 = 8:1								
- 11 = 11:1								
Adjustment if Required:								
- Omit if not required								
- Value								