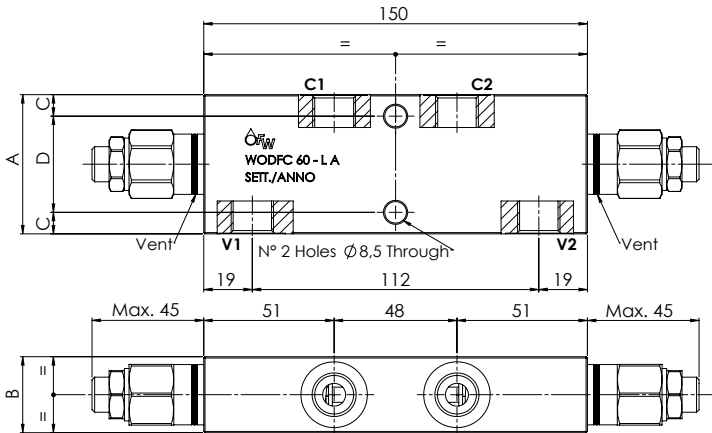
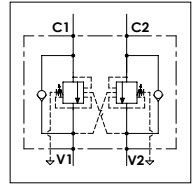


WODFC 60 - L A

TECHNICAL DATA

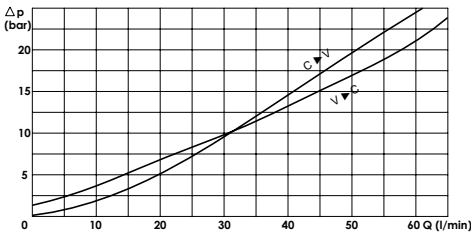
- Flow:** 60 l/min
- Max setting pressure:** 250 bar
- Materials:** Aluminium Body
- Pilot ratio:** 4:1 (if request 1:1; 8:1; 11:1)
- Weight:** (See Table)

- Note:** - Pressure setting must be 30 % higher that pressure induced by the load.
- Recommended for use with closed center spools.



PORTS		
C1 - C2 V1 - V2	3/8	1/2
DIMENSIONS		
A	55	65
B	30	35
C	8,5	11
D	38	43
Weight (kg)	0,950	1,250

PRESSURE DROP CURVES



SPRINGS

Code	20			35		
	Adjustable pressure range bar	Pressure increase bar/turn	Standard setting bar	Adjustable pressure range bar	Pressure increase bar/turn	Standard setting bar
1:1	10-70	15	10	30-200	25	30
4:1	60-210	70	170	80-350	120	280
8:1	60-220	50		100-350	85	
11:1	60-250	90		80-350	150	

ORDERING CODE:

WODFC	60		L	A			
Ports Size:			Springs:			Pilot Ratio:	
- 3/8			- 20			- Omit if 4:1	
- 1/2			- 35			- 1 = 1:1	
						- 8 = 8:1	
						- 11 = 11:1	
						Adjustment if Required:	
						- Omit if not required	
						- Value	