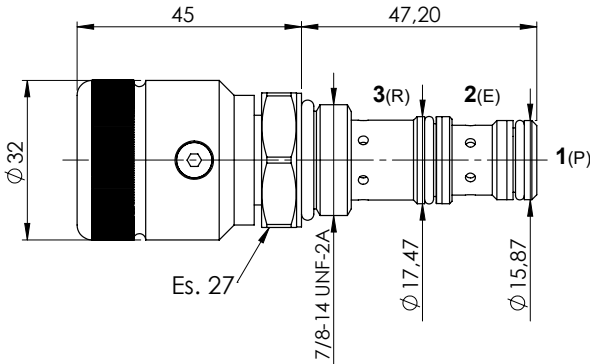
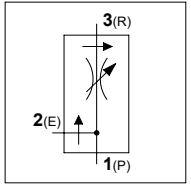


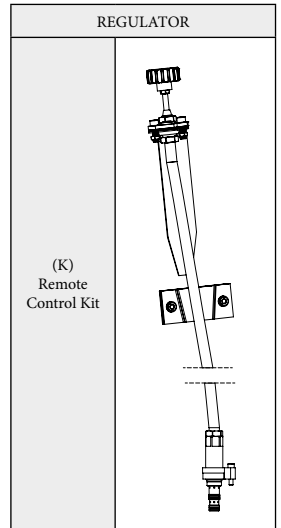
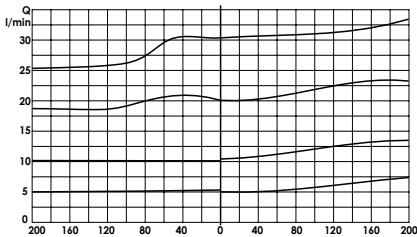
## WPR C 50

### TECHNICAL DATA

- **Flow:** 50 l/min with 30 l/min in R
- **Max working pressure:** 350 bar
- **Materials:** Cartridge in Steel zinc plated
- **Version:** Exceeding Flow in Pressure
- **Cavity:** FW7803000
- **Installation torque:** 60-70 Nm
- **Optional Kit:** Length ordering 500 mm multiple
- **Weight:** 0,200 kg



### COMPENSATION CURVES



## ORDERING CODE:

WPR

C

50

**Remote Control Kit:**

- Omit if not required  
- K = Kit

**Length Kit:**

- Omit if not required  
- Value