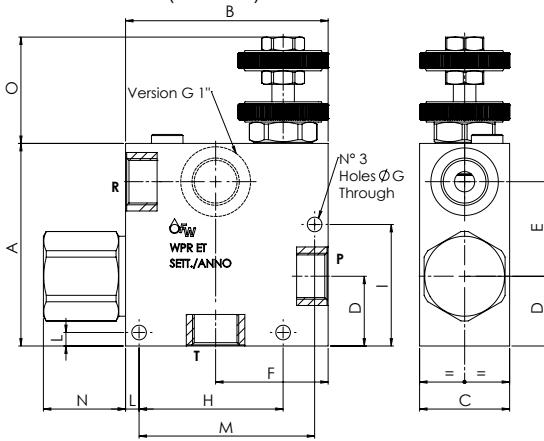


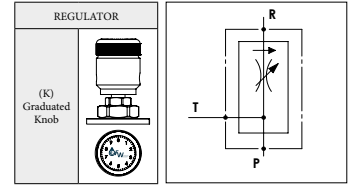
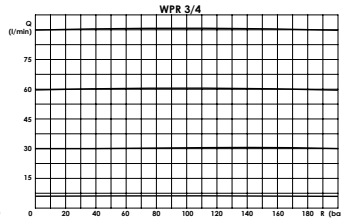
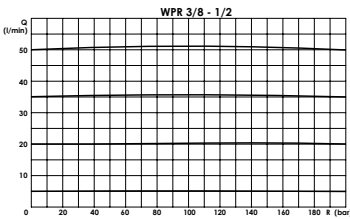
WPR ET

TECHNICAL DATA

- Flow:** G 3/8: 50 l/min with 30 l/min in R
G 1/2: 90 l/min with 50 l/min in R
G 3/4: 150 l/min with 90 l/min in R
G 1 : 240 l/min with 150 l/min in R
- Max working pressure:** 250 bar (350 bar)
- Materials:** Aluminium Body (Steel body if required)
- Version:** Exceeding Flow to Tank
- Note:** Hand Wheel in Aluminium Black Anodized
- Optional RF:** Fine Adjustment Reduces the Range in R, only for 3/8, 1/2 (See table)
- Weight:** (See table)



COMPENSATION CURVES



PORTS				
P - R - T	3/8	1/2	3/4	1
DIMENSIONS				
A	90	90	110	110
B	90	90	110	110
C	40	40	50	50
D	31	31	35	46
E	42	42	50	41
F	50	50	66	65
G	6,5	6,5	8,5	8,5
H	64	64	88	88
I	54	54	63,5	-
L	6	6	8	10
M	78	78	94	-
N	36,5	36,5	36,5	37,5
O	47,5	47,5	49,5	47,5
Weight (Kg)	1,150	1,100	1,900	2,000

ORDERING CODE:

WPR

ET

Ports Size:

- 3/8
- 1/2
- 3/4
- 1

Material Body:

- Omit if aluminium
- S = Steel

Type of Setting:

- Omit if not required
- RF = Fine Adjustment

Type of Regulator:

- Omit if not required
- K = Graduated Knob