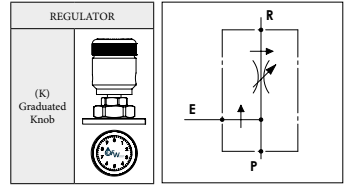


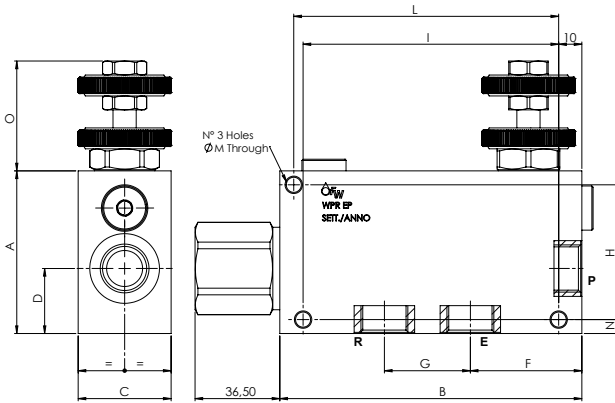
WPR EP

TECHNICAL DATA

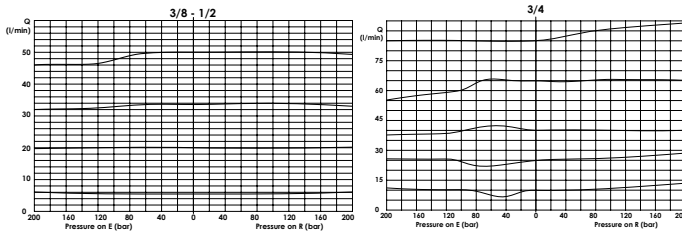
- Flow:**
 - G 3/8: 50 l/min with 30 l/min in R
 - G 1/2: 90 l/min with 50 l/min in R
 - G 3/4: 150 l/min with 90 l/min in R
- Max working pressure:** 250 bar (350 bar)
- Materials:** Aluminium Body (Steel body if required)
- Version:** Exceeding Flow to Pressure
- Note:** Hand Wheel in Aluminium Black Anodized
- Optional RF:** Fine Adjustment Reduces the Range in R, only for 3/8, 1/2
- Weight:** (See table)



PORTS			
P - R - E	3/8	1/2	3/4
DIMENSIONS			
A	70	70	90
B	130	130	155
C	40	40	50
D	28	28	35
F	48	48	57
G	37	37	44
H	58	58	74
I	110	110	-
L	114	114	135
M	6,5	6,5	8,5
N	6	6	8
O	47,5	47,5	49,5
Weight (Kg)	1,300	1,250	2,500



COMPENSATION CURVES



ORDERING CODE:

WPR

EP

Ports Size:

- 3/8
- 1/2
- 3/4

Material Body:

- Omit if aluminium
- S = Steel

Type of Setting:

- Omit if not required
- RF = Fine Adjustment

Type of Regulator:

- Omit if not required
- K = Graduated Knob