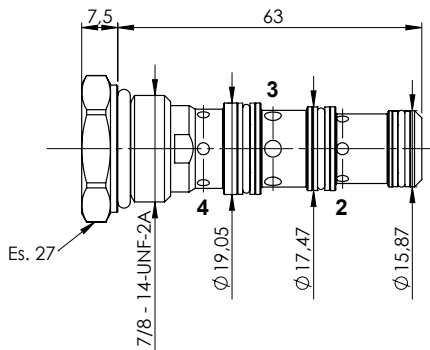
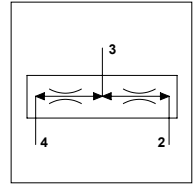


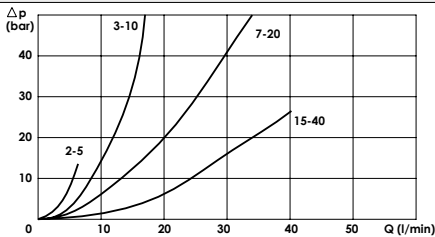
WDF A S10

TECHNICAL DATA

- **Flow:** 40 l/min
- **Max working pressure:** 350 bar
- **Materials:** Cartridge in Steel zinc plated
- **Cavity:** FW7804000
- **Installation torque:** 30-35 Nm
- **Ratio division:** 50/50 standard
- **Weight:** 0,100 kg



PRESSURE DROP CURVES



FLOW RANGE

Code	L/Min
1	2-5
2	3-10
3	7-20
4	15-40

ORDERING CODE:

WDF

A

S10

Flow Range:

- 1 = 2-5 l/min
- 2 = 3-10 l/min
- 3 = 7-20 l/min
- 4 = 15-40 l/min