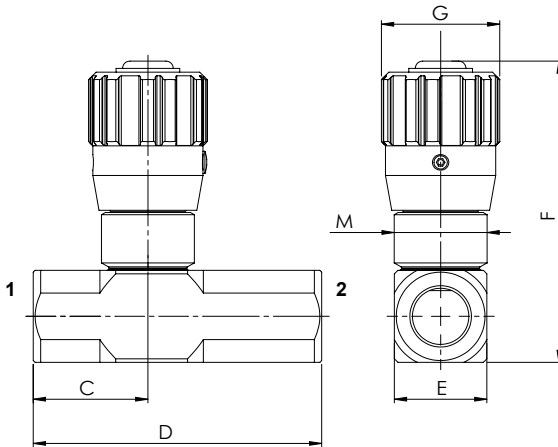
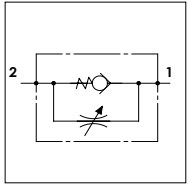


WFU

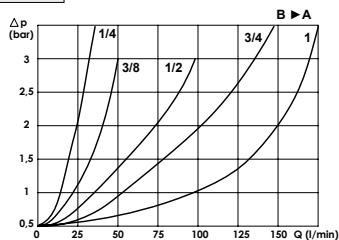
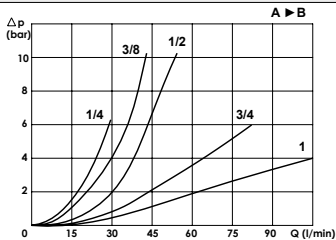
TECHNICAL DATA

- **Flow:** (See table)
- **Max working pressure:** (See table)
- **Cracking pressure:** 0,5 bar
- **Materials:** Steel Body
- **Note:** Aluminium Knob
- **Weight:** (See table)



PORTS					
A - B	1/4	3/8	1/2	3/4	1
DIMENSIONS					
C	28,5	31,5	34,5	44	44
D	75	75	93	108	108
E	25	25	30	40	40
F	82	82	84,5	108	108
G	32	32	32	44	44
M	25x1,5	25x1,5	25x1,5	35x1,5	35x1,5
Max Pressure (bar)	350	350	350	320	300
Max Flow (l/min) A►B	30	40	50	80	110
Max Flow (l/min) B►A	35	50	90	140	160
Weight (kg)	0,420	0,390	0,600	1,420	1,390

PRESSURE DROP CURVES



ORDERING CODE:

WFU

Ports Size:

- 1/4 - 3/8
- 1/2 - 3/4

-1