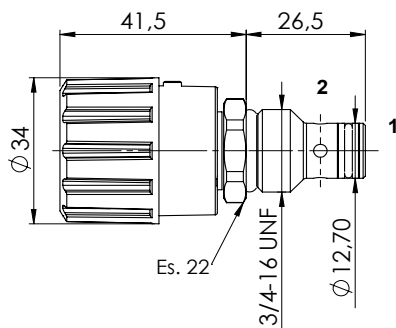
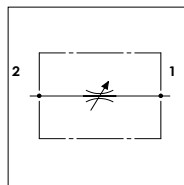


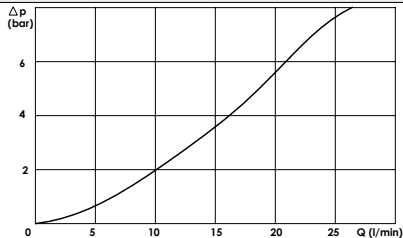
WFB C S08

TECHNICAL DATA

- **Flow:** 30 l/min
- **Max working pressure:** 350 bar
- **Materials:** Cartridge in Steel Zinc Plated
- **Version:** Poppet Type - Direct Acting
- **Cavity:** FW3402000
- **Installation torque:** 25-30 Nm
- **Weight:** 0,090 kg



PRESSURE DROP CURVES



ORDERING CODE:

WFB

C

S08

V