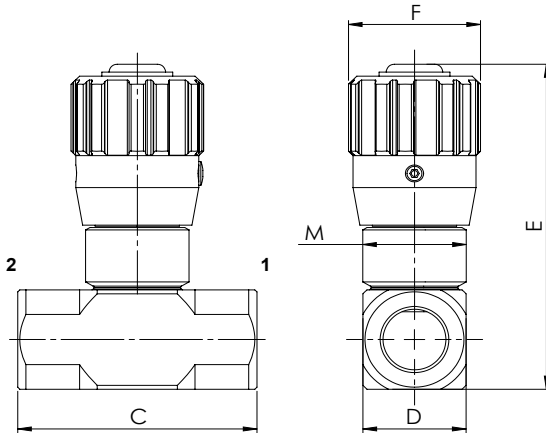
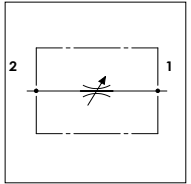


## WFB

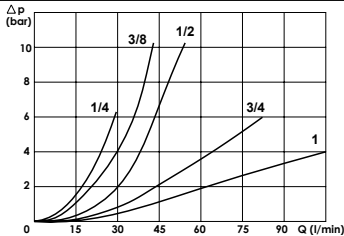
### TECHNICAL DATA

- **Flow:** (See Table)
- **Max working pressure:** (See Table)
- **Materials:** Steel Body
- **Note:** Aluminium Knob
- **Weight:** (See table)



PORTS					
A - B	1/4	3/8	1/2	3/4	1
DIMENSIONS					
C	58	58	64	89	89
D	25	25	30	40	40
E	82	82	86,5	113	111
F	32	32	32	44	44
M	25x1	25x1	25x1	35x1	35x1
Max Pressure (bar)	350	350	350	320	300
Max Flow (l/min)	30	40	50	80	110
Weight (kg)	0,370	0,350	0,450	1,160	1,030

### PRESSURE DROP CURVES



## ORDERING CODE:

WFB

Ports Size:

- 1/4 - 3/8

- 1/2 - 3/4

- 1