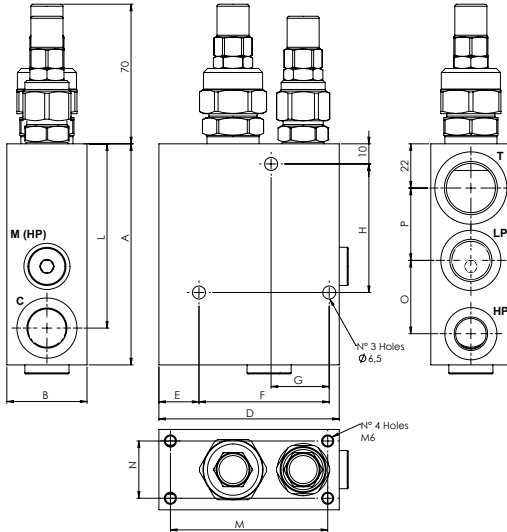
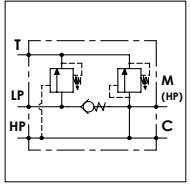


## WEPD L

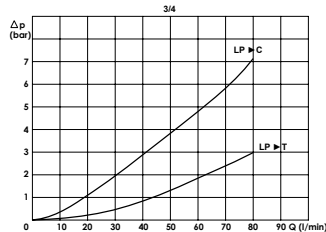
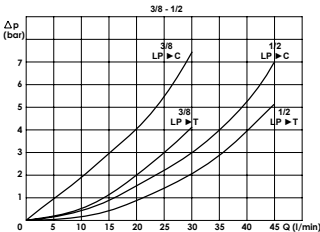
### TECHNICAL DATA

- **Max flow rate LP>C:** (See table)
- **Max working pressure:** 350 Bar
- **Materials:** Steel Body, Cartridge in Steel zinc plated
- **Weight:** (See table)



PORTS			
C - LP	3/8	1/2	3/4
HP	1/4	3/8	1/2
T	1/2	3/4	1
DIMENSIONS			
A	110	110	125
B	40	40	50
D	90	90	110
E	20	20	25
F	65	65	80
G	29	29	37
H	64	64	65
L	94,5	94,5	101
M	78,5	78,5	98
N	28,5	28,5	38
O	36	36	40
P	36	36	43
Max Flow (l/min)	30	45	80
Weight (kg)	2,400	2,100	5,15

### PRESSURE DROP CURVES



SPRINGS				
	LP		HP	
Code	10	20	20	30
3/8	5 - 50	20 - 260	40 - 210	100 - 350
1/2	5 - 50	20 - 260	40 - 210	100 - 350
3/4	5 - 120	50 - 350	20 - 260	120 - 350

## ORDERING CODE:

WEPD

L



Ports Size:

- 3/8
- 1/2
- 3/4



LP - Spring:

- 10
- 20



HP - Spring:

- 20
- 30