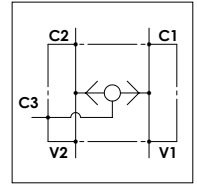
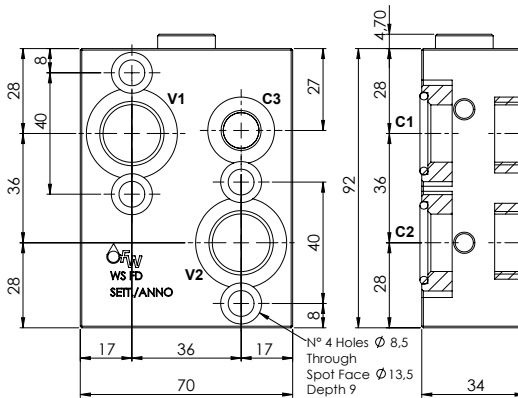


WS FD OMR

TECHNICAL DATA

- **Flow:** 60 l/min
- **Max working pressure:** 250 bar (350 bar)
- **Materials:** Aluminium Body (Steel body if required)
- **Note:** Flangeable on Danfoss motors OMP/R/H
- **Weight:** 0,550 kg (1,400 kg)



PORTS	
V1 - V2	1/2
C3	1/4
C1 - C2	ø19

ORDERING CODE:

WS

FD

OMR

1/2