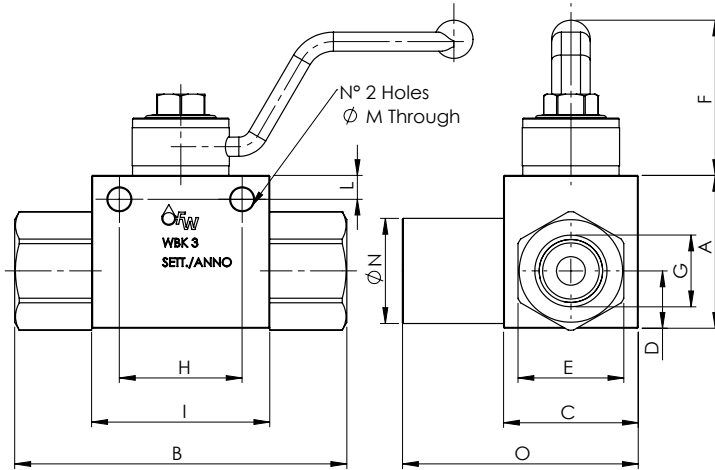
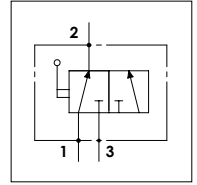


WBK 3

TECHNICAL DATA

- **Max working pressure:** (See table)
- **Materials:** Steel Body
- **Weight:** (See table)



DIMENSIONS

G	DN	A	B	C	D	E	F	H	I	L	M	N	O	Max Pressure (bar)	Weight (kg)
1/4	06	32	69	28	12	22	40	25,5	37	5	4,8	22	49	500	0,500
3/8	10	40	72,5	32	16	27	40	32	42	5,5	5,5	27	52	500	0,650
1/2	13	40	83	35	16	30	40	38	48	5	5,5	32	57,5	500	0,750
3/4	20	57	95	48,5	23	41	50	46	60	7	8	41	73	400	1,400
1	25	65	115	57	27,5	50	51	46	65	6	8	50	82	350	2,200

ORDERING CODE:

WBK

3

Ports Size:

- 1/4 - 3/8
- 1/2 - 3/4
- 1