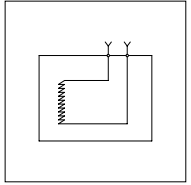


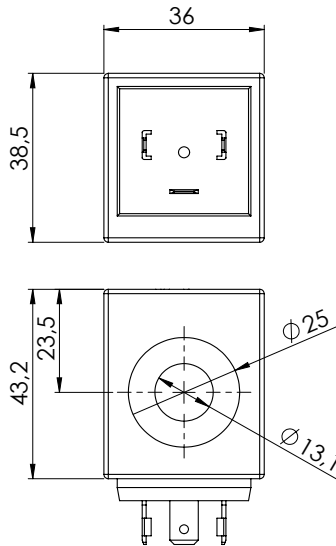
COIL

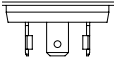
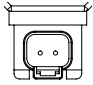
TECHNICAL DATA

- **Rated voltage:** (See table)
- **Power at 20 C°:** 22 W
- **Connection:** (See table)
- **Protection IEC 144:** IP 65
- **Insulation:** Class H
- **Wire insulation:** Class H
- **Nominal voltage:** +/- 10%
- **ED:** 100% with ambient temperature -20 +40 C°
- **Weight:** 0,250 kg



COIL			
Voltage Vdc	Connector	Circuit	Resistance Ω
12	DIN 43650	Standard	6,5
24	DIN 43650	Standard	26,5
12	DEUTSCH	Bidirectional diode	6,5
24	DEUTSCH	Bidirectional diode	26,5



CONNECTION	
Code	Type
(0) DIN 43650	
(1) DEUTSCH	

ORDERING CODE:

3BO

13

Rated Voltage:

- 12
- 24

22

Connector:

- 0 = DIN 43650
- 1 = DEUTSCH