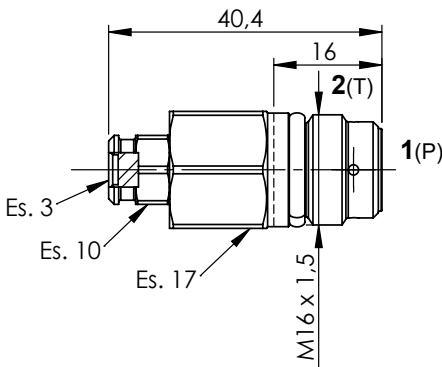
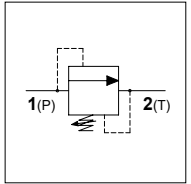


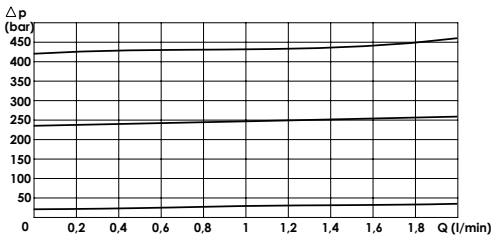
WMD 5

TECHNICAL DATA

- **Flow:** 2 l/min
- **Max setting pressure:** 450 bar
- **Materials:** Cartridge in Steel Zinc Plated
- **Version:** Poppet Type - Direct Acting
- **Cavity:** FW1602100
- **Installation torque:** 30-40 Nm
- **Weight:** 0,050 kg



PRESSURE DROP CURVES



SPRINGS

Code	Adjustable pressure range bar
03	1-30
25	10-250
45	10-450

ORDERING CODE:

WMD

5

S

Springs:

- 03
- 25
- 45

Adjustment if Required:

- Omit if not required
- Value