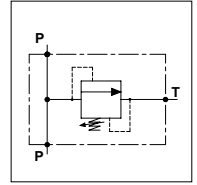


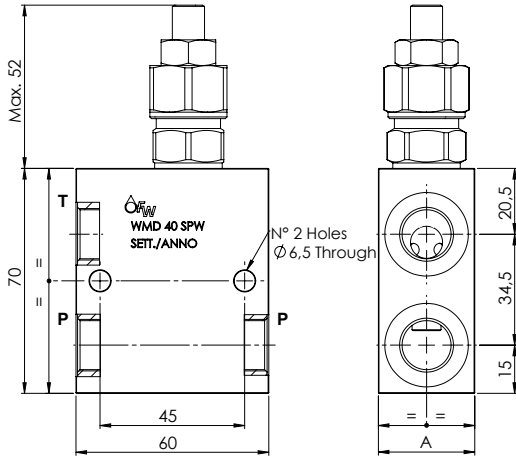
## WMD 40 - SPW

### TECHNICAL DATA

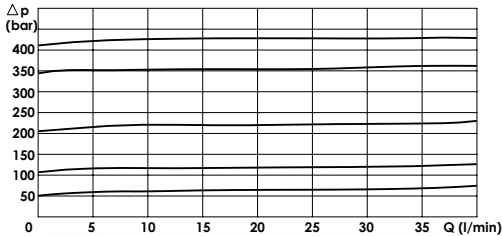
- **Flow:** 40 l/min
- **Max setting pressure:** 420 bar
- **Max working pressure:** 250 bar (420 bar)
- **Materials:** Aluminium Body (Steel Body if required)
- **Version:** Poppet Type - Direct Acting
- **Weight:** 0,450 kg (0,950 kg)



PORTS		
P - T	3/8	1/2
DIMENSIONS		
A	30	35



### PRESSURE DROP CURVES



### SPRINGS

Code	Adjustable pressure range bar	Pressure increase bar/turn	Standard setting bar
05	5-55	15	5
10	25-110	25	25
20	50-215	50	50
35	100-350	90	100
42	100-420	105	100

## ORDERING CODE:

WMD

40

**Ports Size:**

- 3/8
- 1/2

**Material Body:**

- Omit if aluminium
- S = Steel

**Type of Regulator:**

- S = Screw
- V = Handknob

**Springs:**

- 05 - 10
- 20 - 35
- 42

**Adjustment if**

- Required:**
- Omit if not required
  - Value

SPW