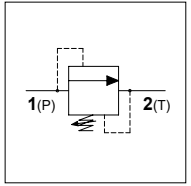
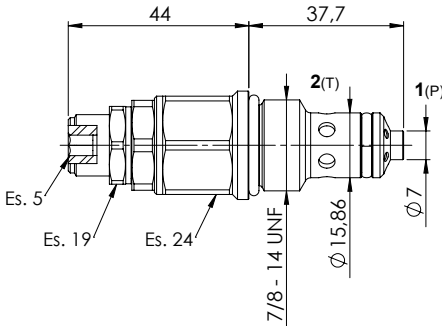


WMD 50

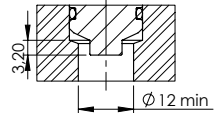
TECHNICAL DATA

- **Flow:** 50 l/min
- **Max setting pressure:** 350 bar
- **Materials:** Cartridge in Steel Zinc Plated
- **Version:** Poppet Type - Direct Acting
- **Cavity:** See table
- **Installation torque:** 55-65 Nm
- **Weight:** 0,170 kg

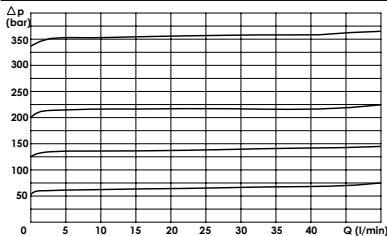


CAVITY

FW7802000 with the addition of a minimum hole of $\Phi 12$ to house the valve nose.



PRESSURE DROP CURVES



SPRINGS

Code	Adjustable pressure range bar
05	15-60
10	25-135
20	50-220
35	120-350

ORDERING CODE:

WMD

50

S

Springs:

- 05 - 10
 - 20 - 35

Adjustment if

Required:
 - Omit if not required
 - Value