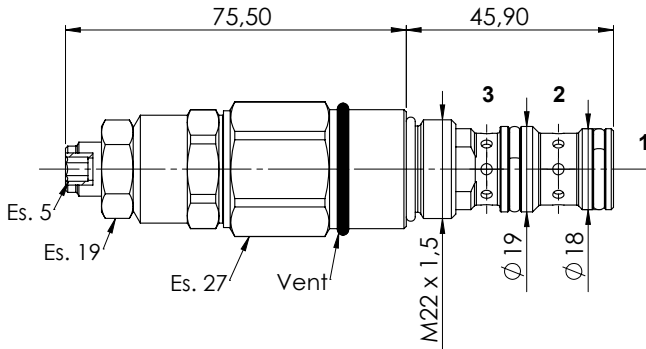
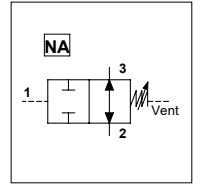


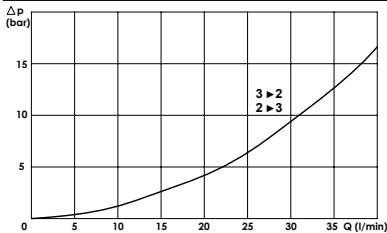
## WSD C 40 M22 NA

### TECHNICAL DATA

- **Flow:** 40 l/min
- **Max setting pressure:** 350 bar
- **Materials:** Cartridge in Steel Zinc Plated
- **Version:** Spool Type - Direct Acting
- **Cavity:** FW2203000
- **Installation torque:** 45-50 Nm
- **Adjustable pressure range:** 15-40 bar
- **Weight:** 0,330 kg



### PRESSURE DROP CURVES



## ORDERING CODE:

WSD

C

40

M22

NA

**Adjustment if Required:**  
 - Omit if not required  
 - Value