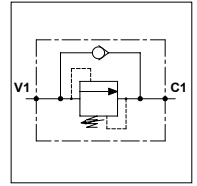


WSD 40

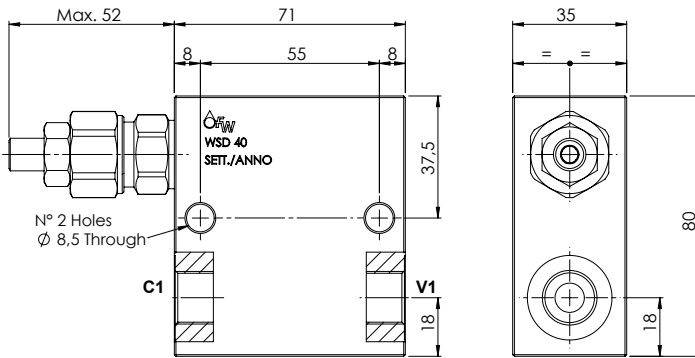
TECHNICAL DATA

- **Flow:** 40 l/min
- **Max setting pressure:** 420 bar
- **Max working pressure:** 250 bar (420 bar)
- **Materials:** Aluminium Body (Steel Body if required)
- **Version:** Poppet Type - Direct Acting
- **Weight:** 0,665 kg (1,465 kg)

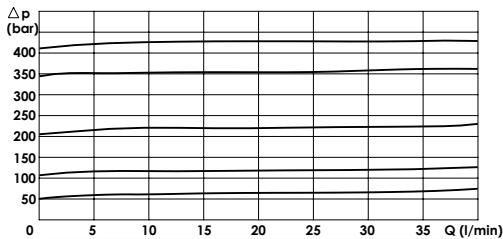


PORTS

C1 - V1	3/8	1/2
---------	-----	-----



PRESSURE DROP CURVES



SPRINGS

Code	Adjustable pressure range bar	Pressure increase bar/turn	Standard setting bar
05	5-55	15	5
10	25-110	25	25
20	50-215	50	50
35	100-350	90	100
42	100-420	105	100

ORDERING CODE:

WSD

40

Ports Size:

- 3/8
- 1/2

Material Body:

- Omit if aluminium
- S = Steel

Type of Regulator:

- S = Screw
- V = Handknob

Springs:

- 05 - 10
- 20 - 35
- 42

Adjustment if Required:

- Omit if not required
- Value