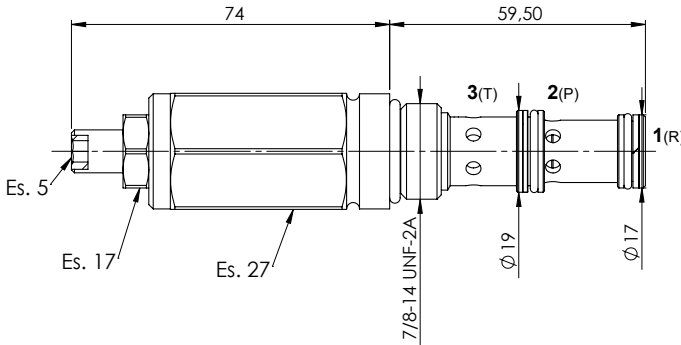
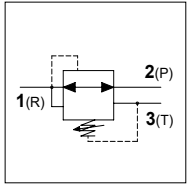

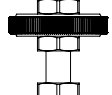


WRP 30

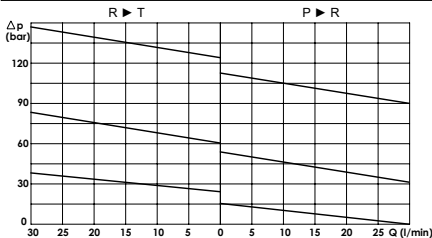
TECHNICAL DATA

- **Flow:** 30 l/min
- **Max setting pressure:** 140 bar
- **Max working pressure:** 350 bar
- **Max differential:** 210 bar between R and P
- **Materials:** Cartridge in Steel Zinc Plated
- **Version:** Direct Acting
- **Cavity:** FW7803100
- **Installation torque:** 50-55 Nm
- **Note:** With Relief
- **Weight:** 0,240 kg



REGULATOR	
(S) Screw	
(V) Handknob	

PRESSURE DROP CURVES



SPRINGS		
Code	Adjustable pressure range bar	Standard setting bar
02	5-35	15
06	10-60	30
12	35-180	60

ORDERING CODE:

WRP

30

Type of Regulator:

- S = Screw
- V = Handknob

Springs:

- 02 - 06
- 12

Adjustment if Required:

- Omit if not required
- Value