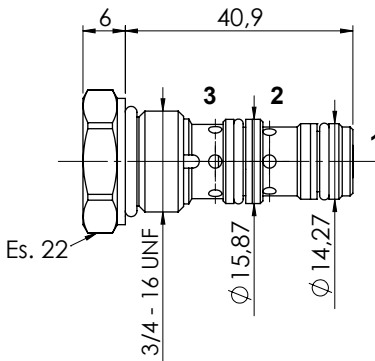
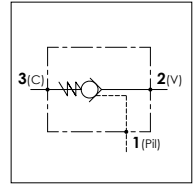


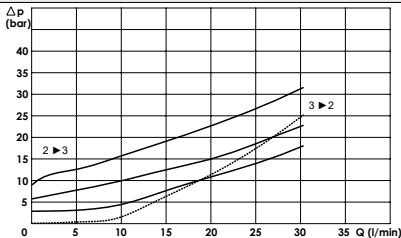
## WBS C 30

### TECHNICAL DATA

- **Flow:** 30 l/min
- **Max working pressure:** 350 bar
- **Materials:** Cartridge in Steel zinc plated
- **Version:** Poppet Type - Pilot Acting
- **Cavity:** FW3403000
- **Installation torque:** 40-45 Nm
- **Pilot ratio:** 3:1
- **Note:** O-Ring on pilot piston
- **Weight:** 0,075 kg



### PRESSURE DROP CURVES



### SPRINGS

Code	Cracking pressure bar
<b>1</b> Standard	2,5
<b>5</b>	5
<b>10</b>	10

## ORDERING CODE:

WBS

C

30



G

### Opening Pressure:

- Omit if 2,5 bar
- 5 = 5 bar
- 10 = 10 bar