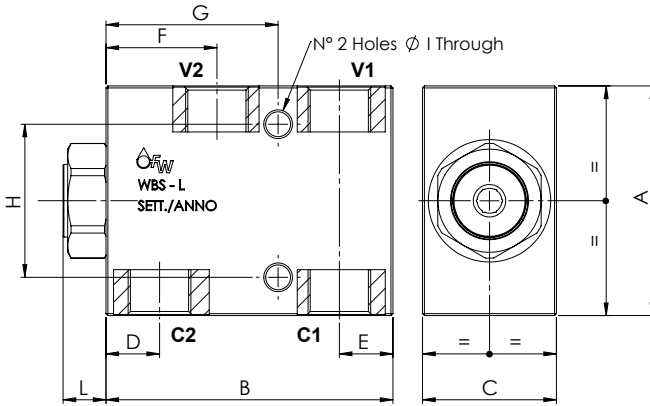
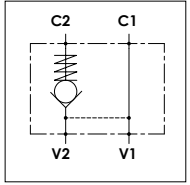


WBS - L

TECHNICAL DATA

- **Flow:** (See table)
- **Max working pressure:** 250 bar (350 bar)
- **Cracking pressure:** (See table)
- **Materials:** Aluminium Body (Steel body if required)
- **Pilot ratio:** (See table)
- **Weight:** 0,450 kg (1,070 kg)



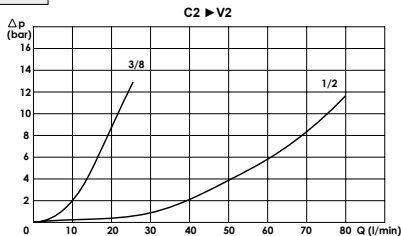
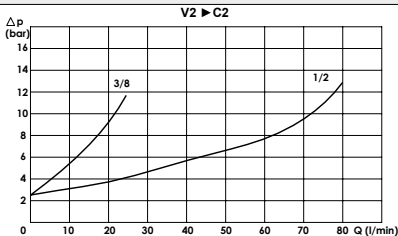
PORTS

C1 - C2 V1 - V2	3/8	1/2
--------------------	-----	-----

DIMENSIONS

A	60	70
B	75	95
C	35	35
D	14	21
E	14	19
F	29	38
G	45	55
H	40	40
I	6,5	8,5
L	11,5	8,5
Pilot Ratio	7:1	4:1
Max Flow (l/min)	30	80

PRESSURE DROP CURVES



SPRINGS

Code	Cracking pressure bar
1 Standard	1
5	5
2,5 (only for 30 l/min)	2,5
10 (only for 30 l/min)	10

ORDERING CODE:

WBS



Flow Size:
- 30 l/min
- 80 l/min

L



Ports Size:
- 3/8
- 1/2



Material Body:
- Omit if aluminium
- S = Steel



Cracking Pressure:
- Omit if 1 bar
- 2,5 = 2,5 bar
- 5 = 5 bar
- 10 = 10 bar



Seal on Piston:
- Omit if not required
- G = Required