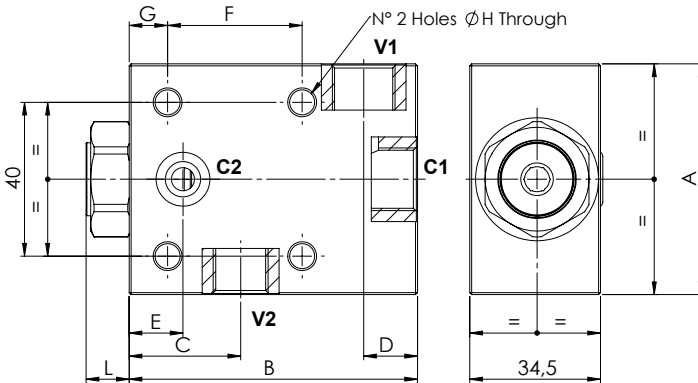
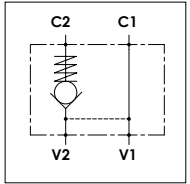


### WBS - 1F

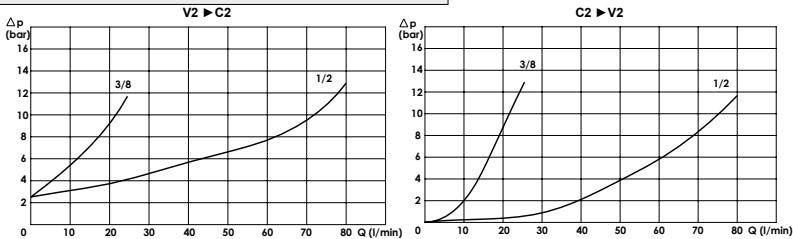
#### TECHNICAL DATA

- **Flow:** (See table)
- **Max working pressure:** 250 bar (350 bar)
- **Cracking pressure:** (See table)
- **Materials:** Aluminium Body (Steel body if required)
- **Pilot ratio:** (See table)
- **Weight:** 0,450 kg (1,040 kg)



| PORTS            |           |           |
|------------------|-----------|-----------|
| C1<br>V1 - V2    | 3/8       | 1/2       |
| C2               | ø6        | ø8        |
| DIMENSIONS       |           |           |
| A                | 60        | 70        |
| B                | 75        | 95        |
| C                | 29        | 38        |
| D                | 61        | 76        |
| E                | 14        | 22,5      |
| F                | 35        | 40        |
| G                | 10        | 15        |
| H                | 6,5       | 8,5       |
| L                | 11,5      | 8,5       |
| Pilot Ratio      | 7:1       | 4:1       |
| Max Flow (l/min) | <b>30</b> | <b>80</b> |

#### PRESSURE DROP CURVES



| SPRINGS                           |                       |
|-----------------------------------|-----------------------|
| Code                              | Cracking pressure bar |
| <b>1</b><br>Standard              | 1                     |
| <b>5</b>                          | 5                     |
| <b>2,5</b><br>(only for 30 l/min) | 2,5                   |
| <b>10</b><br>(only for 30 l/min)  | 10                    |

### ORDERING CODE:

|                          |  |                    |                                    |  |  |  |
|--------------------------|--|--------------------|------------------------------------|--|--|--|
| WBS                      |  | 1F                 |                                    |  |  |  |
| <b>Flow Size:</b>        |  | <b>Ports Size:</b> | <b>Material Body:</b>              | <b>Cracking Pressure:</b>  | <b>Seal on Piston:</b>                   |  |
| - 30 l/min<br>- 80 l/min |  | - 3/8<br>- 1/2     | - Omit if aluminium<br>- S = Steel | - Omit if 1 bar<br>- 2,5 = 2,5 bar<br>- 5 = 5 bar<br>- 10 = 10 bar | - Omit if not required<br>- G = Required |  |