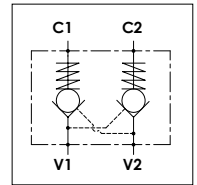


## WBD 20C - VP

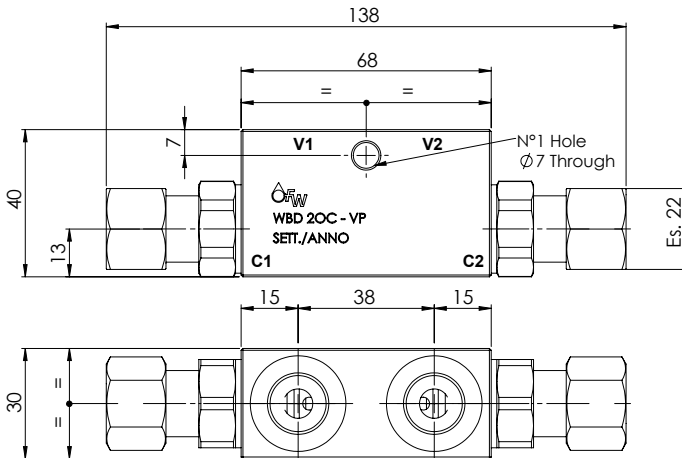
### TECHNICAL DATA

- **Flow:** 30 l/min
- **Max working pressure:** 350 bar
- **Cracking pressure:** (See table)
- **Materials:** Steel body
- **Pilot ratio:** 4:1
- **Weight:** 0,650 kg

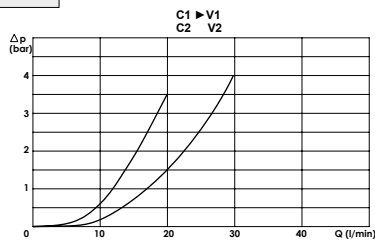
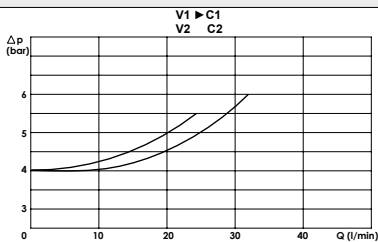


### PORTS

V1 - V2	1/4	3/8
C1 - C2	12	



### PRESSURE DROP CURVES



### SPRINGS

Code	Cracking pressure bar
05	0,5
4 Standard	4
8	8

## ORDERING CODE:

WBD

20C

Ports Size:

- 1/4
- 3/8

VP

Cracking Pressure:

- Omit if 4 bar
- 05 = 0,5 bar
- 8 = 8 bar