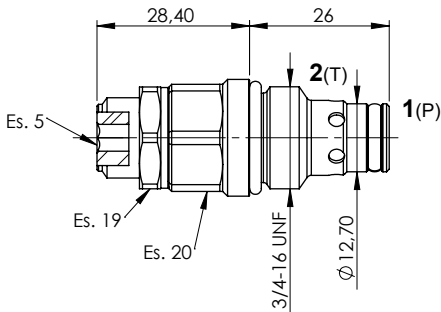
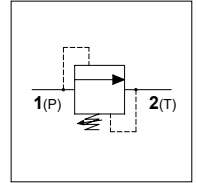


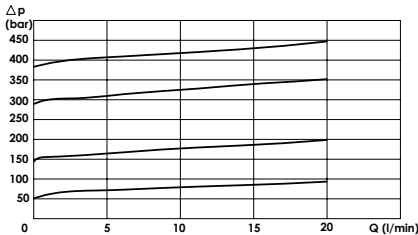
WMD 25

TECHNICAL DATA

- **Flow:** 20 l/min
- **Max setting pressure:** 420 bar
- **Materials:** Cartridge in Steel Zinc Plated
- **Version:** Poppet Type - Direct Acting
- **Cavity:** FW3402000
- **Installation torque:** 40-45 Nm
- **Weight:** 0,100 kg



PRESSURE DROP CURVES



SPRINGS

Code	Adjustable pressure range bar	Pressure increase bar/turn	Standard setting bar
05	20-70	10	20
20	50-180	25	50
35	130-350	60	130
42	170-420	80	170

ORDERING CODE:

WMD

25

S

Springs:

- 05
- 20
- 35
- 42

Adjustment if Required:

- Omit if not required
- Value