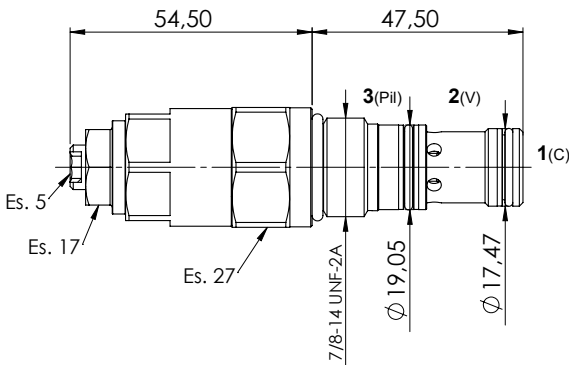
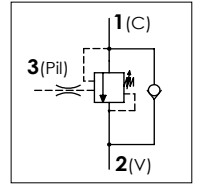


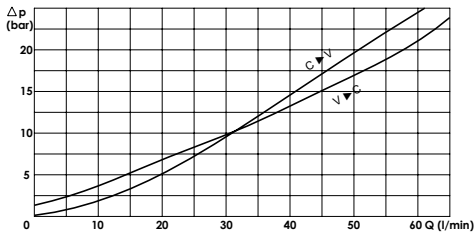
## WOC 60 S10

### TECHNICAL DATA

- **Flow:** 60 l/min
- **Max setting pressure:** 350 bar
- **Materials:** Cartridge in Steel zinc plated
- **Cavity:** FW7803001
- **Installation torque:** 40-45 Nm
- **Weight:** 0,250 kg



### PRESSURE DROP CURVES



### SPRINGS

| Code | 20                            |                            |                      | 35                            |                            |                      |
|------|-------------------------------|----------------------------|----------------------|-------------------------------|----------------------------|----------------------|
|      | Adjustable pressure range bar | Pressure increase bar/turn | Standard setting bar | Adjustable pressure range bar | Pressure increase bar/turn | Standard setting bar |
| 4:1  | 60-210                        | 70                         | 170                  | 80-350                        | 120                        | 280                  |
| 8:1  | 60-220                        | 50                         |                      | 100-350                       | 85                         |                      |

## ORDERING CODE:

WOC

60

S10

**Springs:**

- 20
- 35

**Pilot Ratio:**

- Omit if 4:1
- 8 = 8:1

**Adjustment if Required:**

- Omit if not required
- Value