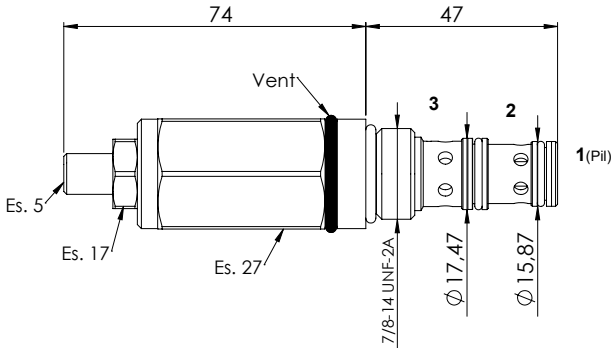
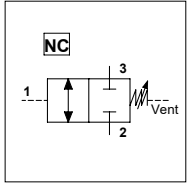
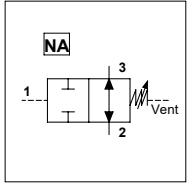


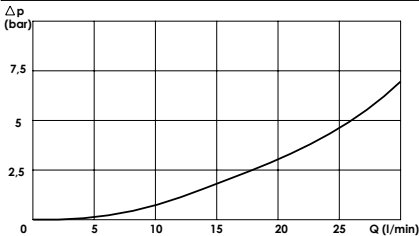
## WSD C 30 S10

### TECHNICAL DATA

- **Flow:** 30 l/min
- **Max setting pressure:** 120 bar
- **Max working pressure:** 350 bar
- **Materials:** Cartridge in Steel zinc plated
- **Version:** Direct Acting, fully compensated
- **Cavity:** FW7803000
- **Installation torque:** 50-55 Nm
- **Weight:** 0,320 kg



### PRESSURE DROP CURVES



### SPRINGS

Code	Adjustable pressure range bar	Standard setting bar
<b>02</b>	5-50	15
<b>06</b>	20-85	30
<b>12</b>	50-120	60

## ORDERING CODE:



#### Type of Scheme:

- NA = Open
- NC = Close

#### Type of Regulator:

- S = Screw
- V = Handknob

#### Springs:

- 02
- 06
- 12

#### Adjustment Required:

- Omit if not required
- Value