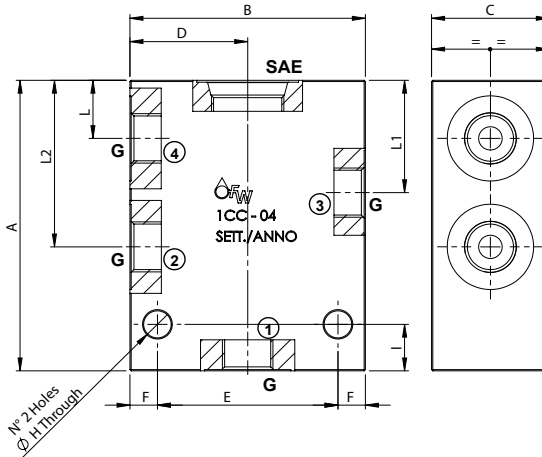


# ICC - 04

## TECHNICAL DATA

- **Max working pressure:** 250 bar (350 bar)
- **Materials:** Aluminium Body (Steel body if required)



## DIMENSIONS

SAE	G	A	B	C	D	E	F	H	I	L	L1	L2	Code Cavity SAE
08	1/4	75	60	30	30	46	7	7	12	15,5	29,5	43,5	FW3404000
	3/8												
10	3/8	85	60	35	30	48	6	7	8	18,5	34,5	50,5	FW7804000
	1/2												
12	3/4	120	80	40	40	64	8	9	8	28,5	53,5	78,5	FW1160400

## ORDERING CODE

ICC

04

### Cavities:

- 08 = SAE 08
- 10 = SAE 10
- 12 = SAE 12

### Ports Size:

- 1/4 - 3/8
- 3/8 - 1/2
- 3/4

### Material Body:

- 0 = Aluminium
- 1 = Steel