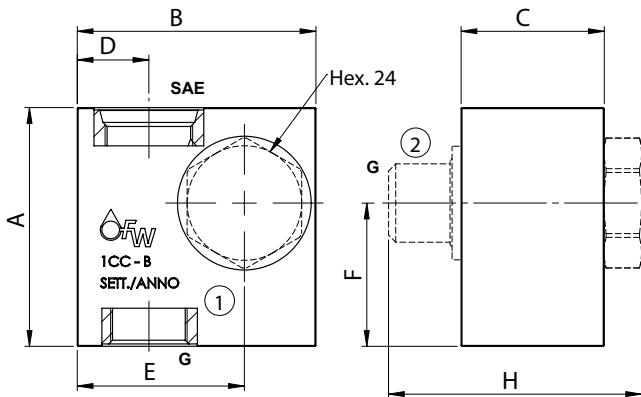


ICC - B

TECHNICAL DATA

- **Max working pressure:** 250 bar (350 bar)
- **Materials:** Aluminium Body (Steel body if required)
- **Note:** Bonded washer and bolt not included with code 2 and 4, complete of components with code 6 and 8



DIMENSIONS									
SAE	G	A	B	C	D	E	F	H	Code Cavity SAE
08	3/8	50	50	30	15	35	30	53	FW3402000

ORDERING CODE

ICC

08

02

38

For body with SAE 10 and SAE 12,
 Please contact our sales department.

Material Body:

- 2 = Aluminium
- 4 = Steel
- 6 = Aluminium Complete
- 8 = Steel Complete