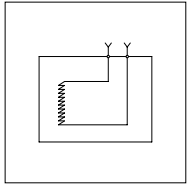


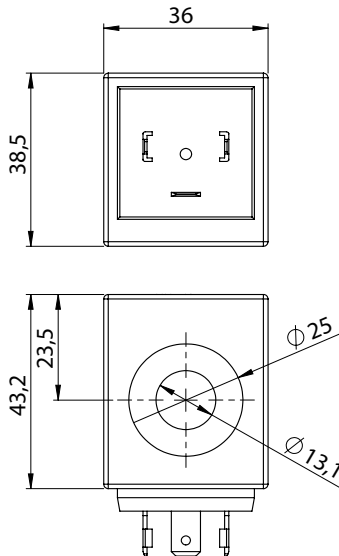
COIL

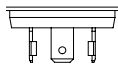
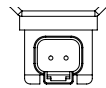
TECHNICAL DATA

- **Rated voltage:** See table
- **Power at 20 C°:** 22 W
- **Connection:** See table
- **Protection IEC 144:** IP 65
- **Insulation:** Class H
- **Wire insulation:** Class H
- **Nominal voltage:** +/- 10%
- **ED:** 100% with ambient temperature -20 +40 C°
- **Weight:** 0,250 kg



COIL			
Voltage Vdc	Connector	Circuit	Resistance Ω
12	DIN 43650	Standard	6,5
24	DIN 43650	Standard	26,5
12	DEUTSCH	Bidirectional diode	6,5
24	DEUTSCH	Bidirectional diode	26,5



CONNECTION	
Code	Type
(0) DIN 43650	
(1) DEUTSCH	

ORDERING CODE

3BO

13

Rated Voltage:

- 12
- 24

22

Connector:

- 0 = DIN 43650
- 1 = DEUTSCH