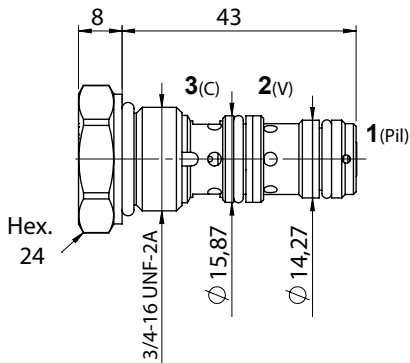
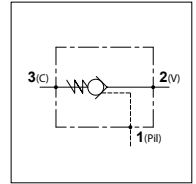


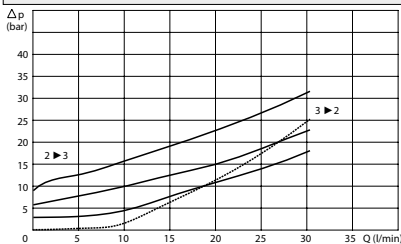
WBS C 30

TECHNICAL DATA

- **Flow:** 30 l/min
- **Max working pressure:** 350 bar
- **Materials:** Cartridge in Steel zinc plated
- **Version:** Poppet Type - Pilot Acting
- **Cavity:** FW3403000
- **Installation torque:** 30-35 Nm
- **Pilot ratio:** 3:1
- **Weight:** 0,075 kg



PRESSURE DROP CURVES



SPRINGS

Code	Cracking pressure bar
Standard	2,5
5	5
10	10

ORDERING CODE

WBS

C

30



Opening Pressure:

- Omit if 2,5 bar
- 5 = 5 bar
- 10 = 10 bar



Seal on Piston:

- Omit if not required
- G = Required