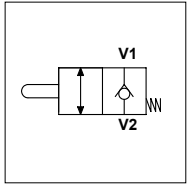


## WFC NC - SPG

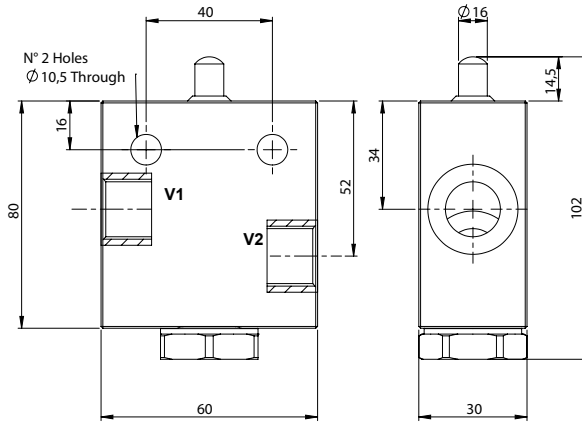
### TECHNICAL DATA

- **Flow:** See Table
- **Max working pressure:** See Table
- **Materials:** Steel Body
- **Weight:** See Table

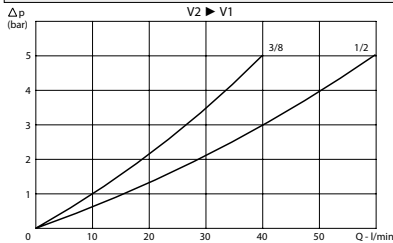


### PORTS

V1 - V2	3/8	1/2
Max Pressure (bar)	350	350
Max Flow (l/min)	40	60
Weight (kg)	1,000	0,980



### PRESSURE DROP CURVES



### ORDERING CODE

WFC

NC



Ports Size:

- 3/8
- 1/2

SPG