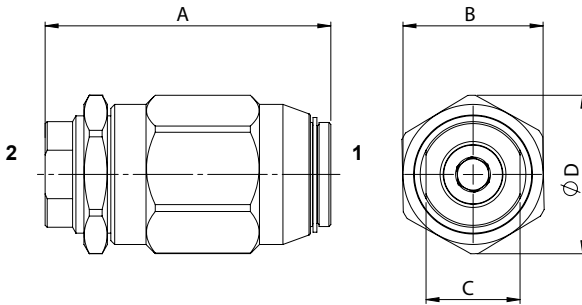
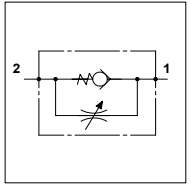


WFU M

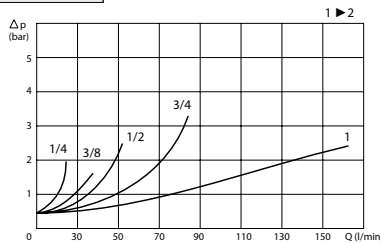
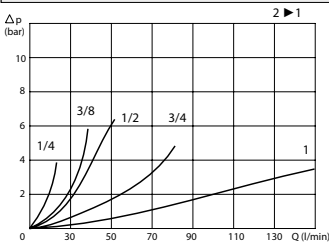
TECHNICAL DATA

- **Flow:** See table
- **Max working pressure:** See table
- **Cracking pressure:** 0,5 bar
- **Materials:** Steel Body
- **Weight:** See table



PORTS					
1 - 2	1/4	3/8	1/2	3/4	1
DIMENSIONS					
A	62	73	83	102	109
B (Hex)	30	36	41	55	55
C (Hex)	19	24	30	36	41
D	34	41	46	61	61
Max Pressure (bar)	350	350	350	300	250
Max Flow (l/min)	20	40	50	80	160
Weight (kg)	0,250	0,440	0,680	1,100	1,320

PRESSURE DROP CURVES



ORDERING CODE

WFU

M

Ports Size:

- 1/4
- 3/8
- 1/2
- 3/4
- 1