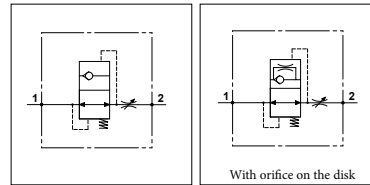
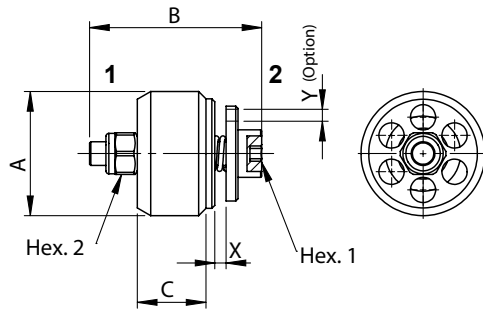


## WHB

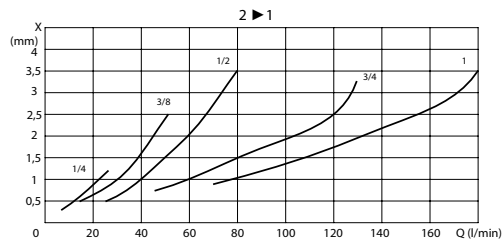
#### TECHNICAL DATA

- **Flow:** See table
- **Max working pressure:** 350 bar
- **Materials:** Steel Body
- **Installation torque:** See table
- **Weight:** See table



PORTS					
A	1/4	3/8	1/2	3/4	1
DIMENSIONS					
B	19	23	29	34	40
C	8,2	11	13	18	20
Hex. 1	2,5	2,5	3	3	4
Hex. 2	5,5	5,5	7	7	8
Max Flow (l/min)	25	50	80	150	180
Install. Torque (N/m)	2	3	4	10	12
Weight (kg)	0,008	0,014	0,025	0,054	0,100
ORIFICE					
Ø Min (mm)	0,5	0,5	0,5	0,5	0,5
Ø Max (mm)	1	1,25	1,5	2,5	3

#### PRESSURE SETTING CURVES



#### ORDERING CODE

WHB

#### Ports Size:

- 1/4
- 3/8
- 1/2
- 3/4
- 1

#### X Setting:

- Omit if not required
- Value in mm

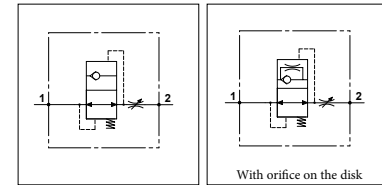
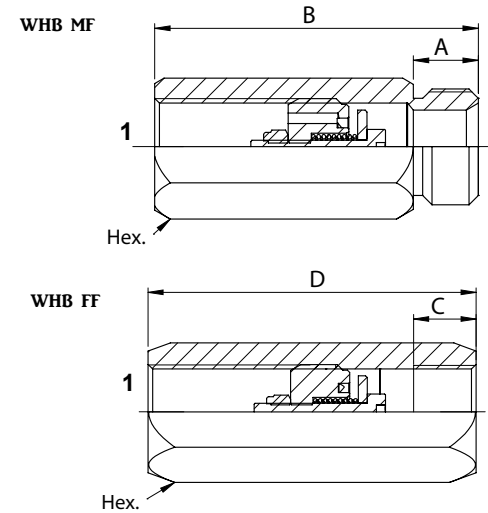
#### Y Orifice:

- Omit if not required
- Value in mm

## WHB

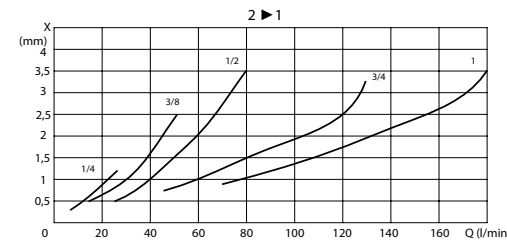
#### TECHNICAL DATA

- **Flow:** See table
- **Max working pressure:** 350 bar
- **Materials:** Body in Steel zinc plated
- **Weight:** See table



PORTS					
1 - 2	1/4	3/8	1/2	3/4	1
DIMENSIONS					
A	12	12	16	18	20
B	50	60	65	81	92
C	12	14	16	18	20
D	59	64	73	76	86
Hex.	19	22	27	32	41
Max Flow (l/min)	25	50	80	150	180
Weight (kg)	0,083	0,110	0,185	0,365	0,770
ORIFICE					
Ø Min (mm)	0,5	0,5	0,5	0,5	0,5
Ø Max (mm)	1	1,25	1,5	2,5	3

#### PRESSURE SETTING CURVES



#### ORDERING CODE

WHB

#### Type:

- MF = Male Female
- FF = Female Female

#### Ports Size:

- 1/4
- 3/8
- 1/2
- 3/4
- 1

#### X Setting:

- Value in mm

#### Y Orifice:

- Omit if not required
- Value in mm