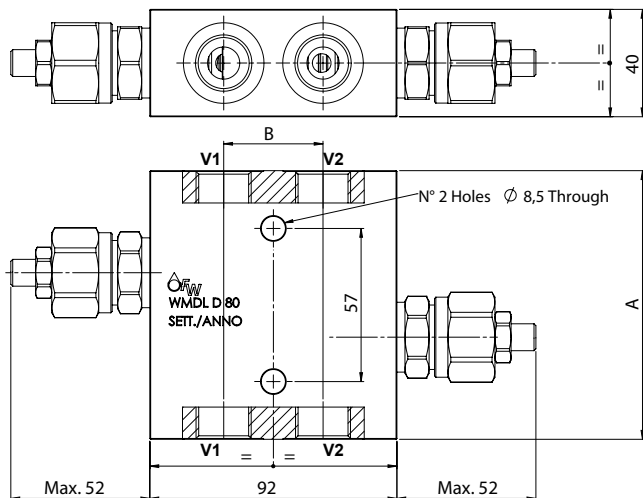
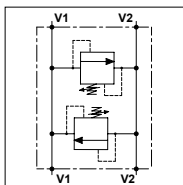


WMDL D 80

TECHNICAL DATA

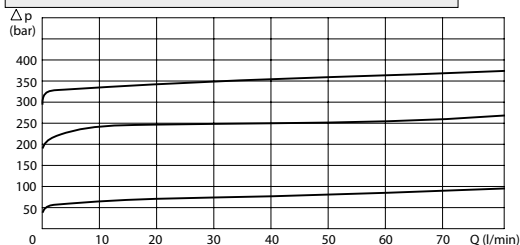
- **Flow:** 80 l/min
- **Max setting pressure:** 350 bar
- **Max working pressure:** 250 bar (350 bar)
- **Materials:** Aluminium Body (Steel Body if required)
- **Weight:** 1,500 kg (2,850 kg)



PORTS		
V1 - V2	1/2	3/4
DIMENSIONS		
A	100	110
B	34	40

REGULATOR	
(S) Screw	
(V) Handknob	
OPTION	
(X) Tamper Proof Cap	

PRESSURE DROP CURVES



SPRINGS			
Code	Adjustable pressure range bar	Pressure increase bar/turn	Standard setting bar
05	5-55	5	5
10	25-250	12	25
25	130-350	30	130

ORDERING CODE

WMDL D 80

- Ports Size:** - 1/2
- 3/4
- Material Body:** - Omit if aluminium
- S = Steel
- Type of Regulator:** - S = Screw
- V = Handknob
- Springs:** - 05
- 10
- 25
- Adjustment if Required:** - Omit if not required
- Value
- Value with X