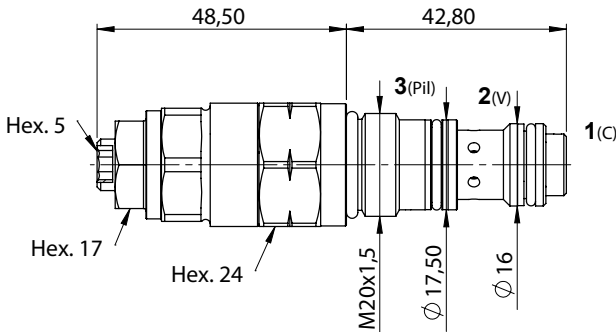
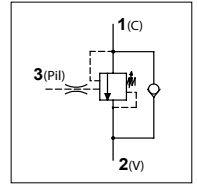


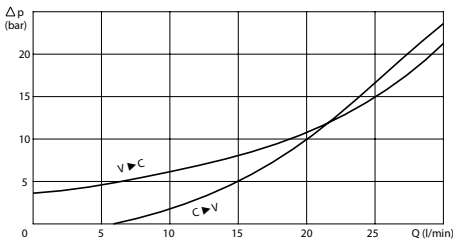
WOC 30 M20

TECHNICAL DATA

- **Flow:** 30 l/min
- **Max setting pressure:** 350 bar
- **Materials:** Cartridge in Steel zinc plated
- **Cavity:** FW2003100
- **Installation torque:** 30-35 Nm
- **Weight:** 0,150 kg



PRESSURE DROP CURVES



SPRINGS

Code	20			35		
	Adjustable pressure range bar	Pressure increase bar/turn	Standard setting bar	Adjustable pressure range bar	Pressure increase bar/turn	Standard setting bar
4,5:1	50-210	50	170	80-350	110	280

ORDERING CODE

WOC

30

M20

Springs:

- 20
- 35

Adjustment if Required:

- Omit if not required
- Value