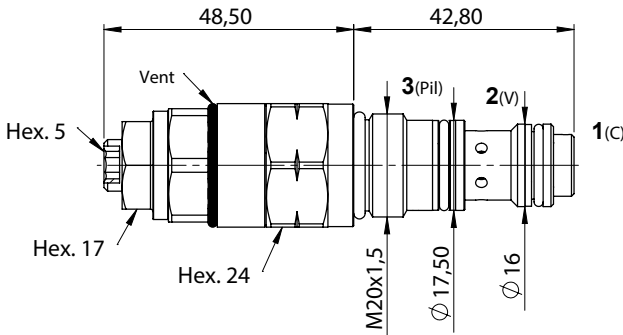
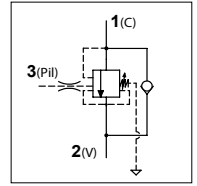


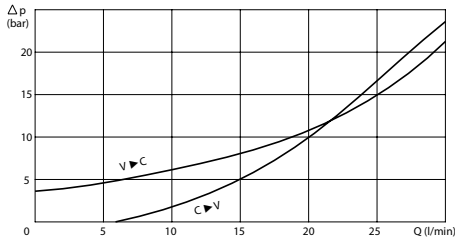
## WOCFC 30 M20

### TECHNICAL DATA

- **Flow:** 30 l/min
- **Max setting pressure:** 350 bar
- **Materials:** Cartridge in Steel zinc plated
- **Cavity:** FW2003100
- **Installation torque:** 30-35 Nm
- **Weight:** 0,150 kg



### PRESSURE DROP CURVES



### SPRINGS

Code	20			35			
	Pilot ratio	Adjustable pressure range bar	Pressure increase bar/turn	Standard setting bar	Adjustable pressure range bar	Pressure increase bar/turn	Standard setting bar
4,5:1	50-210	50	170	80-350	70	280	

### ORDERING CODE

WOCFC

30

M20

Springs:

- 20
- 35

Adjustment if Required:

- Omit if not required
- Value